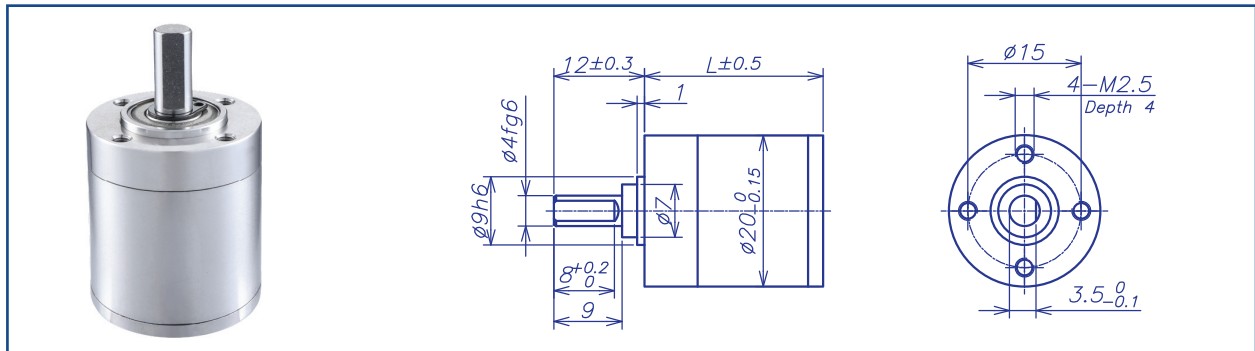


AM-20GP Series

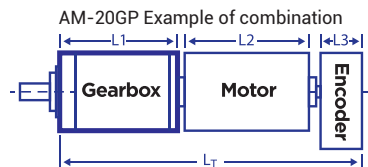


GEARBOX CHARACTER

Gear type	Straight teeth	Radial Play (8mm from flange)	max 0.1mm
Output shaft	Stainless steel hardened	Permissible force press fits	max. 100 N
Main gear	Alloy steel hardened	Permissible axial load (dynamic)	max. 50N
Ring gear	Stainless steel hardened	Recommended inut speed	8000RPM
Adapter plate	Stainless steel	Operating temperature range	-20°C ~ +50°C
Bearing AT output	Ball bearing	Operating humidity range	10-90%RH
Axial play	0-0.3	Number of stages	1 2 3 4
Directions	CW/CCW	Permissible load (8mm from flange)	20N 40N 40N 40N

GEARBOX DATA

Number of stage	1			2			3			4		
	Reduction ratio X:1	3.8	4.4	5.4	14	16	53	72	109	198	316	590
Reduction ratio absolute	15/4	57/13	27/5	225/16	81/4	3375/64	185193/2197	2187/20	50625/256	10556001/28561	59049/100	
				855/52	1539/65	12825/208	4617/52	41551/325	192375/832	263169/676	1121931/1625	
Motor shaft max. diametre (mm)	3	2		3	2	3	2	3	3	2		
Gearbox length "L" (mm)	18.8			23.6			28.4			33.2		
Max. continuous torque (N.m)	0.2			0.3			0.5			0.6		
Max. intermittent torque (N.m)	0.3			0.45			0.75			0.9		
Average backlash no load	1.2°			1.4°			1.4°			1.4°		
Gearbox efficiency	90%			81%			73%			65%		
Max. mass inertia (g.cm ²)	0.1			0.1			0.1			0.1		
Gearbox weight approx (g)	35			45			55			65		
gearbox model	AM-20GPA-X-01			AM-20GPB-X-01			AM-20GPC-X-01			AM-20GPD-X-01		



Recommend Motor:
Coreless Motor (w/E): AM-CL1623MAN, AM-CL1626MAN, AM-CL1633MAN, AM-CL1643MAN, AM-CL2232GAN, AM-CL2232MAN, AM-CL2242GAN, AM-CL2242MAN
Brushless Motor (w/E): AM-BL1632AN, AM-BL1640AN, AM-BL2032AN, AM-BL2040AN, AM-BL2051AN

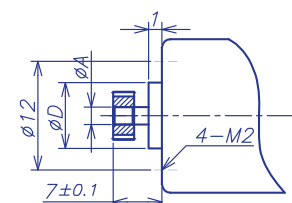
Recommend Encoder:
Suitable for Coreless Motor
Encoder S: AM-EN1611S***

Suitable for Brushless Motor
Encoder S: AM-EN1611S***
Encoder T: AM-EN1612T***

INPUT GEARBOX DATA

Modulus	0.35		
Press angle	20°		
Teeth number	10	13	16
Max gear hole "A"	2	2	3
Max motor shaft	2	2	3
Motor dimension "D"	6.0 8.0		

MOTOR DIMENSION



GEARBOX MOTOR LENGTH "LT"

Gear motor length L_T	52.5	74.3	80.4
Gearbox length L_1	18.8	23.6	28.4
Motor length L_2	23	40	40
Encoder length L_3	10.7	10.7	12

Download datasheet: <https://assunmotor.com/documents-download>

Visit Our Website and Online Shop at <https://assunmotor.com> Contact: info@assunmotor.com