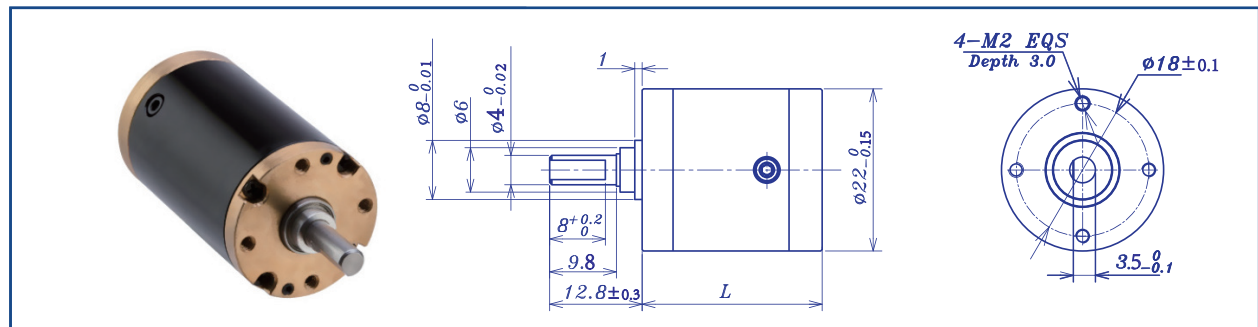


AM-22P Series



GEARBOX CHARACTER			
Gear type	Straight teeth	Average backlash on load	≤2°
Output shaft	Stainless steel hardened	Radial Play	≤0.1
Main gear	Alloy Steel	Permissible axial load	≤40N
Ring gear	Steel	Permissible force press fits	≤100N (5mm from mounting face)
Adapter plate	Copper	Recommended input speed	≤10000RPM
Bearing AT output	Ball bearing	Operating temperature range	-20°C ~ +50°C
Axial play	0-0.3	Operating humidity range	10-90%RH
Directions	CW/CCW		

GEARBOX DATA											
Number of stage	1		2		3			4		5	
Reduction ratio X:1	3.3	11	19	37	62	97	175	370	591	742	1996
	3.8	12	20	41	64	104	198	410	690	1014	2458
	4.4	14	24	47	72	109	231	455	850	1185	3027
	5.4	16	29	53	76	128	270	522		1386	3728
		18		84	158		316	561		1621	4592
Reduction ratio absolute	63/19	3249/169		250049/6859		1215/16	21625/1216		6561/16		759375/1024
	15/4	81/4		59635/1444		185193/2197	50625/256		5000/211/10985		10965375/10816
	57/13	1539/65		3375/64		45927/475	192375/832		1240029/2375		41668425/35152
	27/5	729/25		14175/304		87723/845	731025/2704		2368521/4225		158340015/114244
				12825/208		2187/20	2777895/8788		59049/100		601692057/371293
			204687/3211		41553/325	10556001/28561		1121931/625		285012027/142805	
			48735/676		19683/125			531441/625		135005697/54925	
										63950067/21125	
										30292137/8125	
										14348907/3125	
Gearbox length "L" (mm)	22.3	27.3		32.3			37.3		42.6		
Max. continuous torque (N.m)	0.6	0.8		1			1.2		1.2		
Max. intermitten torque (N.m)	0.9	1.2		1.5			1.8		1.8		
Gearbox efficiency	90%	81%		72%			65%		59%		
Moment of inertia range (g.cm ²)	0.5	0.4		0.5			0.4		0.5		
Gearbox weight approx (g)	56	68		82			92		103		
Gearbox model	AM-22PA-X-01	AM-22PB-X-01		AM-22PC-X-01			AM-22PD-X-01		AM-22PE-X-01		

<p>AM-22P Example of combination</p>		<p>INPUT GEARBOX DATA</p> <table border="1"> <tr> <td>Modulus</td> <td colspan="3">0.35</td> </tr> <tr> <td>Press angle</td> <td colspan="3">20°</td> </tr> <tr> <td>Teeth number</td> <td>10</td> <td>13</td> <td>16</td> <td>19</td> </tr> <tr> <td>Max gear hole "A"</td> <td>2.0</td> <td colspan="3">3.0</td> </tr> <tr> <td>Max motor shaft</td> <td>2.0</td> <td colspan="3">3.0</td> </tr> <tr> <td>Motor dimension "D"</td> <td>6.15</td> <td colspan="3">8.0</td> </tr> </table>		Modulus	0.35			Press angle	20°			Teeth number	10	13	16	19	Max gear hole "A"	2.0	3.0			Max motor shaft	2.0	3.0			Motor dimension "D"	6.15	8.0			<p>MOTOR DIMENSION</p>	
Modulus	0.35																																
Press angle	20°																																
Teeth number	10	13	16	19																													
Max gear hole "A"	2.0	3.0																															
Max motor shaft	2.0	3.0																															
Motor dimension "D"	6.15	8.0																															
<p>Recommend Motor:</p> <p>Coreless Motor: (w/E): AM-CL2232MAN AM-CL2232GAN AM-CL2242MAN AM-CL2242GAN</p> <p>Brushless Motor (w/E): AM-BL2040AN AM-BL2453AN</p>		<p>Recommend Encoder: Suitable for Coreless Motor Encoder S: AM-EN2211S***</p> <p>Suitable for Brushless Motor Encoder S: AM-EN1611S*** Encoder T: AM-EN1612T***</p>		<p>GEARBOX MOTOR LENGTH "LT"</p> <table border="1"> <tr> <td>Gear motor length L_T</td> <td>66.5</td> <td>80.0</td> <td>80.3</td> <td>101</td> </tr> <tr> <td>Gearbox length L₁</td> <td>22.3</td> <td>27.3</td> <td>32.3</td> <td>37.3</td> </tr> <tr> <td>Motor length L₂</td> <td>32.2</td> <td>42</td> <td>40</td> <td>53</td> </tr> <tr> <td>Encoder length L₃</td> <td>12</td> <td>10.7</td> <td>12</td> <td>10.7</td> </tr> </table>		Gear motor length L _T	66.5	80.0	80.3	101	Gearbox length L ₁	22.3	27.3	32.3	37.3	Motor length L ₂	32.2	42	40	53	Encoder length L ₃	12	10.7	12	10.7								
Gear motor length L _T	66.5	80.0	80.3	101																													
Gearbox length L ₁	22.3	27.3	32.3	37.3																													
Motor length L ₂	32.2	42	40	53																													
Encoder length L ₃	12	10.7	12	10.7																													

Download datasheet: <https://assunmotor.com/documents-download>

Visit Our Website and Online Shop at <https://assunmotor.com> Contact: info@assunmotor.com