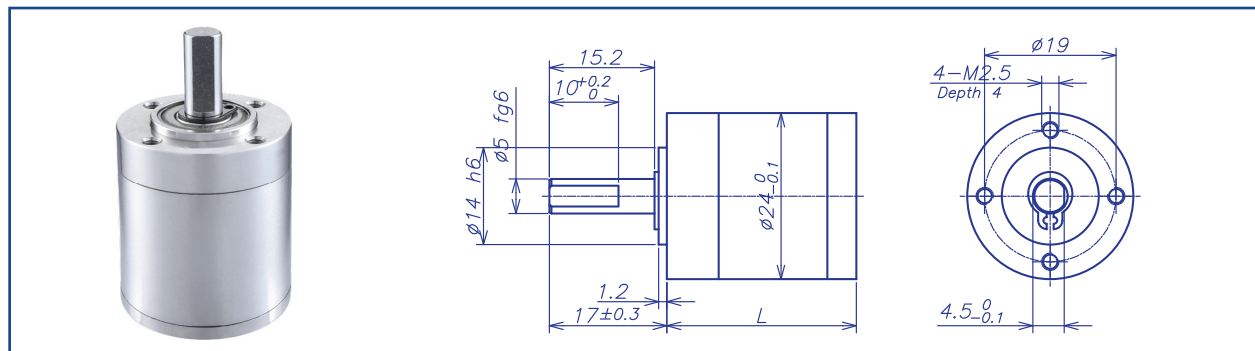


## AM-24GP Series

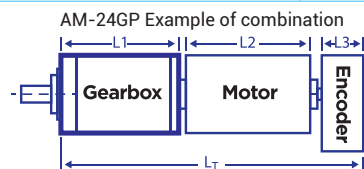


### GEARBOX CHARACTER

Gear type	Straight teeth	Radial Play (10mm from flange)	max 0.1mm
Output shaft	Stainless steel hardened	Permissible force press fits	max. 150 N
Main gear	Alloy steel hardened	Permissible axial load (dynamic)	max. 100N
Ring gear	Stainless steel hardened	Recommended inut speed	8000RPM
Adapter plate	Stainless steel	Operating temperature range	-20°C ~ +50°C
Bearing AT output	Ball bearing	Operating humidity range	10-90%RH
Axial play	0-0.3	Number of stages	1    2    3    4
Directions	CW/CCW	Permissible load (12mm from flange)	65N   65N   70N   70N

### GEARBOX DATA

Number of stage	1			2		3			4				
	Reduction ratio X:1	3.3	4	5.5	11	18	34	64	98	112	256	541	
Reduction ratio absolute	13/4	4/1	11/2	169/16	143/8	2197/64	64/1	1573/16	28561/256	256/1	17303/32		
Motor shaft max. diametre (mm)	4	2		4	2	4	2		4		2		
Gearbox lenght "L" (mm)	22.2			27.4		32.6			37.8				
Max. continuous torque (N.m)	0.5			0.7		0.9			1.2				
Max. intermittent torque (N.m)	0.75			1.05		1.35			1.8				
Average backlash no load	1.0°			1.1°		1.2°			1.2°				
Gearbox efficiency	90%			81%		73%			65%				
Max. mass inertia (g.cm <sup>2</sup> )	0.33			0.34		0.34			0.34				
Gearbox weight approx (g)	70			85		100			115				
gearbox model	AM-24GPA-X-01			AM-24GPB-X-01		AM-24GPC-X-01			AM-24GPD-X-01				



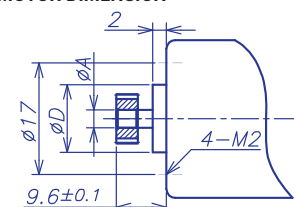
**Recommend Motor:**  
Coreless Motor (w/E)  
AM-CL2232GAN  
AM-CL2232MAN  
AM-CL2242GAN  
AM-CL2242MAN  
AM-CL2532MAN  
AM-CL2545MAN

**Recommend Encoder:**  
Suitable for Coreless Motor  
Encoder S: AM-EN1611S\*\*\*  
Encoder S: AM-EN2211S\*\*\*  
Suitable for Brushless Motor  
Encoder S: AM-EN1611S\*\*\*  
Encoder T: AM-EN2412T\*\*\*

### INPUT GEARBOX DATA

Modulus	0.35
Press angle	20°
Teeth number	12    18    24
Max gear hole "A"	2    4    4
Max motor shaft	2    4    4
Motor dimension "D"	6.15    8    10

### MOTOR DIMENSION



### GEARBOX MOTOR LENGTH "LT"

Gear motor length L <sub>T</sub>	64.9	80.1	97.6
Gear box length L <sub>1</sub>	22.2	27.4	32.6
Motor length L <sub>2</sub>	32	42	53
Encoder length L <sub>3</sub>	10.7	10.7	12

Download datasheet: <https://assunmotor.com/documents-download>

Visit Our Website and Online Shop at <https://assunmotor.com>    Contact: [info@assunmotor.com](mailto:info@assunmotor.com)