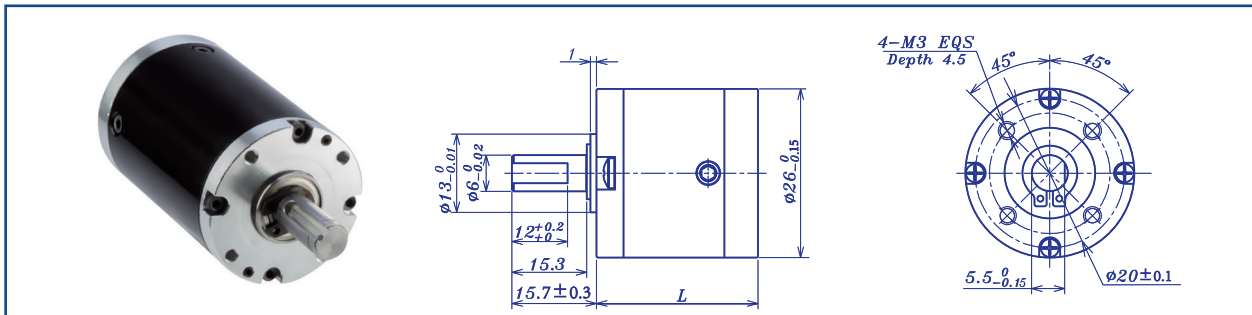


## AM-26P Series

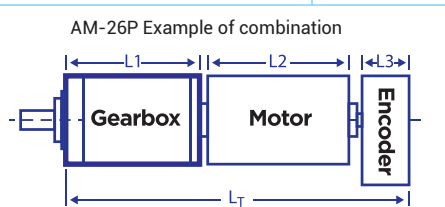


### GEARBOX CHARACTER

Gear type	Straight teeth	Average backlash on load	$\leq 2^\circ$
Output shaft	Stainless steel hardened	Radial Play	$\leq 0.1$
Main gear	Alloy Steel	Permissable axial load	$\leq 80N$
Ring gear	Steel	Permissible force press fits	$\leq 150N$ (5mm from mounting face)
Adapter plate	Alluminium alloy	Recommended inut speed	$\leq 8000RPM$
Bearing AT output	Ball bearing	Operating temperature range	$-20^\circ C \sim +50^\circ C$
Axial play	0-0.3	Operating humidity range	10-90%RH
Directions	CW/CCW		

### GEARBOX DATA

Number of stage	1	2			3			4		
Reduction ratio X:1	3.4	12	18	28	40	74	129	296	534	1016
	3.8	13	19	29	45	85	152	327	637	1136
	4.4	15	20	35	50	95	184	375	760	1304
	5.3	17	23	44	56	106	233	405	860	1556
	6.7		26		65	121	296	447	965	1975
Reduction ratio absolute	63/19 15/4 57/13 27/5	576/49 92/7 529/36 253/15	18/1 1484/25 16/18 231/10 230/9	441/16 88/3 35/1 400/9	12824/343 2208/49 1053/21 12167/2 5819/90 5566/75 10648/125	189/2 3381/32 4851/40 1936/15 3200/21 735/4 700/3 8000/27	85169/288 122452/375 234256/625 25921/64 53361/100 101871/160	194481/256 7744/9 15435/16 64000/63 92000/81 35200/27 14000/9 160000/81		
Gearbox length "L" (mm)	28.2	34.5			40.8			47.1		
Max. continuous torque (N.m)	1.3	1.7			2.1			2.6		
Max. intermitten torque (N.m)	1.9	2.6			3.2			3.8		
Gearbox efficiency	90%	81%			72%			65%		
Moment of inertia range (g.cm <sup>2</sup> )	1	0.9			0.6			0.6		
Gearbox weight approx (g)	65	85			105			120		
Gearbox model	AM-26PA-X-01	AM-26PB-X-01			AM-26PC-X-01			AM-26PD-X-01		



<p>Recommend Motor:</p> <p>Coreless Motor (w/E): AM-CL2532MAN AM-CL2545MAN</p> <p>Brushless Motor (w/E) AM-BL2453AN</p>	<p>Recommend Encoder:</p> <p>Suitable for Coreless Motor Encoder S: AM-EN1611S***</p> <p>Suitable for Brushless Motor Encoder S: AM-EN1611S*** Encoder T: AM-EN2412T***</p>
---	---

### INPUT GEARBOX DATA

Modulus	0.4				
Press angle	20°				
Teeth number	9	12	15	18	21
Max gear hole "A"	1.5	3.0	4.0		
Max motor shaft	1.5	3.0	4.0		
Motor dimension "D"	10.0				

### MOTOR DIMENSION

### GEARBOX MOTOR LENGTH "LT"

Gear motor length $L_T$	72.2	90.2
Gearbox length $L_1$	28.2	34.5
Motor length $L_2$	32	45
Encoder length $L_3$	12	10.7

Download datasheet: <https://assunmotor.com/documents-download>

Visit Our Website and Online Shop at <https://assunmotor.com> Contact: [info@assunmotor.com](mailto:info@assunmotor.com)