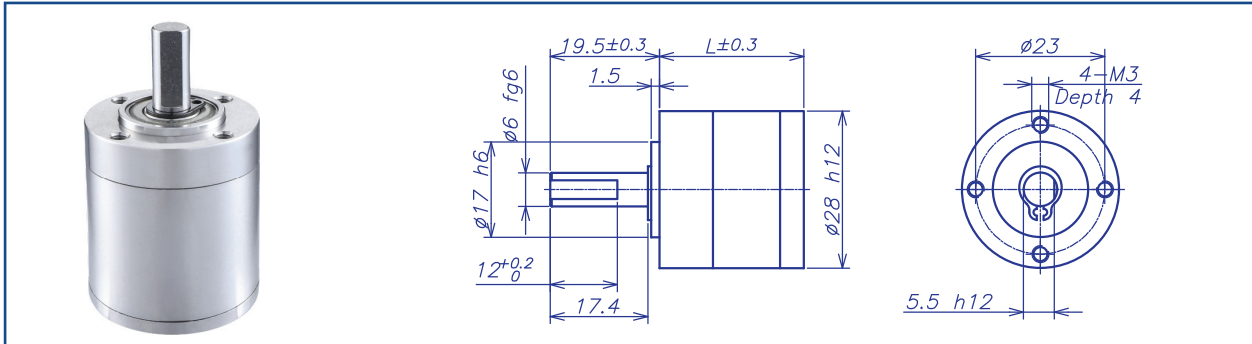


AM-28GP Series



GEARBOX CHARACTER			
Gear type	Straight teeth	Radial Play (10mm from flange)	max 0.1mm
Output shaft	Stainless steel hardened	Permissible force press fits	max. 150 N
Main gear	Alloy steel hardened	Permissible axial load (dynamic)	max. 100N
Ring gear	Stainless steel hardened	Recommended input speed	8000RPM
Adapter plate	Stainless steel	Operating temperature range	-20°C ~ +50°C
Bearing AT output	Ball bearing	Operating humidity range	10-90%RH
Axial play	0-0.3	Number of stages	1 2 3 4
Directions	CW/CCW	Permissible load (13mm from flange)	65N 100N 120N 120N

GEARBOX DATA											
Number of stage	1			2		3			4		
Reduction ratio X:1	3.4	4.2	5.8	11 14 17	19 24 33	38 47 59 65	72 81 100	112 138 190	130 160 198 221 244 273	301 337 377 416 465 574	642 792 1093
Reduction ratio absolute	27/8	25/6	23/4	729/64 225/16 625/36	621/32 575/24 529/16	19683/512 6075/128 1875/32 16767/256	15625/216 5175/64 14375/144	14283/128 13225/96 12167/64	531441/4096 164025/1024 50625/256 452709/2048 15625/64 139725/512	390625/1296 43125/128 385641/1024 359375/864 119025/256 330625/576	328509/512 304175/384 279841/256
Motor shaft max. diameter (mm)	4	3	4	3	4	3	4	3	4	3	4
Gearbox length "L" (mm)	25.9			33.1		40.3			47.5		
Max. continuous torque (N.m)	0.6			0.8		2.0			2.4		
Max. intermittent torque (N.m)	0.9			1.2		3.0			3.6		
Average backlash no load	0.8°			0.9°		1.0°			1.0°		
Gearbox efficiency	90%			81%		73%			65%		
Max. mass inertia (g.cm ²)	0.89			0.94		0.95			0.95		
Gearbox weight approx (g)	140			170		200			230		
gearbox model	AM-28GPA-X-01			AM-28GPB-X-01		AM-28GPC-X-01			AM-28GPD-X-01		

<p>AM-28GP Example of combination</p>	<p>INPUT GEARBOX DATA</p> <table border="1"> <tr><td>Modulus</td><td>0.4</td></tr> <tr><td>Press angle</td><td>20°</td></tr> <tr><td>Teeth number</td><td>12 18 24</td></tr> <tr><td>Max gear hole "A"</td><td>3 4 4</td></tr> <tr><td>Max motor shaft</td><td>3 4 4</td></tr> <tr><td>Motor dimension "D"</td><td>10 12</td></tr> </table>	Modulus	0.4	Press angle	20°	Teeth number	12 18 24	Max gear hole "A"	3 4 4	Max motor shaft	3 4 4	Motor dimension "D"	10 12	<p>MOTOR DIMENSION</p>														
	Modulus	0.4																										
Press angle	20°																											
Teeth number	12 18 24																											
Max gear hole "A"	3 4 4																											
Max motor shaft	3 4 4																											
Motor dimension "D"	10 12																											
<p>Recommend Motor:</p> <table border="1"> <tr> <td>Coreless Motor (w/E)</td> <td>Brushless Motor (w/E)</td> </tr> <tr> <td>AM-CL2532MAN</td> <td>AM-BL2453AN</td> </tr> <tr> <td>AM-CL2545MAN</td> <td>AM-BL2845AN</td> </tr> <tr> <td>AM-CL2831MAN</td> <td></td> </tr> <tr> <td>AM-CL2845MAN</td> <td></td> </tr> </table>	Coreless Motor (w/E)	Brushless Motor (w/E)	AM-CL2532MAN	AM-BL2453AN	AM-CL2545MAN	AM-BL2845AN	AM-CL2831MAN		AM-CL2845MAN		<p>Recommend Encoder:</p> <p>Suitable for Coreless Motor Encoder S: AM-EN1611S***</p> <p>Suitable for Brushless Motor Encoder S: AM-EN1611S*** Encoder T: AM-EN2412T***</p>	<p>GEARBOX MOTOR LENGTH "LT"</p> <table border="1"> <tr><td>Gear motor length L_T</td><td>67.6</td><td>88.8</td><td>105.3</td></tr> <tr><td>Gear box length L₁</td><td>25.9</td><td>33.1</td><td>40.3</td></tr> <tr><td>Motor length L₂</td><td>31</td><td>45</td><td>53</td></tr> <tr><td>Encoder length L₃</td><td>10.7</td><td>10.7</td><td>12</td></tr> </table>	Gear motor length L _T	67.6	88.8	105.3	Gear box length L ₁	25.9	33.1	40.3	Motor length L ₂	31	45	53	Encoder length L ₃	10.7	10.7	12
Coreless Motor (w/E)	Brushless Motor (w/E)																											
AM-CL2532MAN	AM-BL2453AN																											
AM-CL2545MAN	AM-BL2845AN																											
AM-CL2831MAN																												
AM-CL2845MAN																												
Gear motor length L _T	67.6	88.8	105.3																									
Gear box length L ₁	25.9	33.1	40.3																									
Motor length L ₂	31	45	53																									
Encoder length L ₃	10.7	10.7	12																									

Download datasheet: <https://assunmotor.com/documents-download>

Visit Our Website and Online Shop at <https://assunmotor.com> Contact: info@assunmotor.com