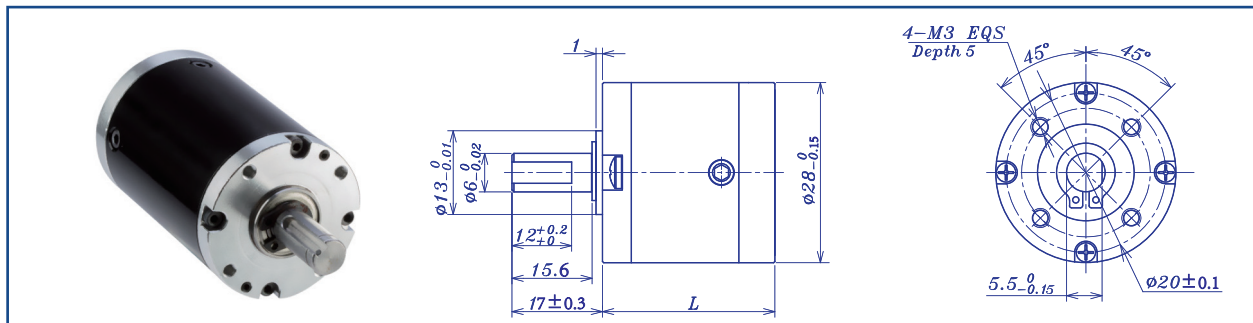


AM-28P Series

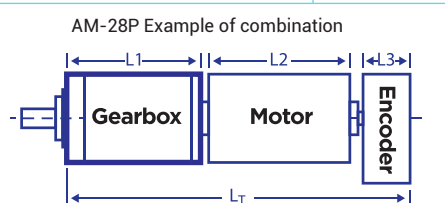


GEARBOX CHARACTER

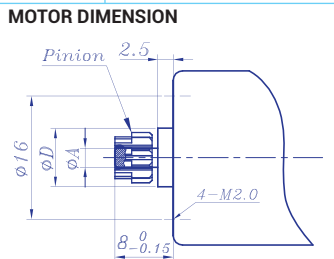
Gear type	Straight teeth	Average backlash on load	$\leq 2^\circ$
Output shaft	Stainless steel hardened	Radial Play	≤ 0.1
Main gear	Alloy Steel	Permissible axial load	$\leq 80N$
Ring gear	Steel	Permissible force press fits	$\leq 150N$ (5mm from mounting face)
Adapter plate	Aluminum Alloy	Recommended inut speed	$\leq 8000RPM$
Bearing AT output	Ball bearing	Operating temperature range	$-20^\circ C \sim +50^\circ C$
Axial play	0-0.3	Operating humidity range	10-90%RH
Directions	CW/CCW		

GEARBOX DATA

Number of stage	1	2		3			4			
Reduction ratio X:1	3.4 3.8 4.4 5.3 6.7	12 13 15 17	18 19 20 23	28 29 35 44	40 45 50 56 65	74 85 95 106 121	129 152 184 233 296	296 327 375 405 447	534 637 760 860 965	1016 1136 1304 1556 1975
Reduction ratio absolute	24/7 23/6 22/5 21/4 20/3	576/49 92/7 529/36 253/15	18/1 484/25 16//18 231/10 230/9	441/16 88/3 35/1 400/9	13824/343 2208/49 1053/21 12167/2 5819/90 5566/75 10648/125	189/2 3381/32 4851/40 1936/15 3200/21 735/4 700/3 8000/27	85169/288 122452/375 234256/625 25921/64 53361/100 101871/160	194481/256 7744/9 15435/16 64000/63 92000/81 35200/27 14000/9 160000/81		
Gearbox length "L" (mm)	26.9	33.2		39.5			45.8			
Max. continuous torque (N.m)	1.3	1.7		2.1			2.6			
Max. intermitten torque (N.m)	1.9	2.6		3.2			3.8			
Gearbox efficiency	90%	81%		72%			65%			
Moment of inertia range (g.cm ²)	1	0.9		0.6			0.6			
Gearbox weight approx (g)	78	102		126			149			
Gearbox model	AM-28PA-X-01	AM-28PB-X-01		AM-28PC-X-01			AM-28PD-X-01			



INPUT GEARBOX DATA					
Modulus	0.4				
Press angle	20°				
Teeth number	9	12	15	18	21
Max gear hole "A"	1.5	3.0	4.0		
Max motor shaft	1.5	3.0	4.0		
Motor dimension "D"	10.0				



Recommend Motor:	Recommend Encoder:
Coreless Motor: AM-CL2532MAN AM-CL2545MAN AM-CL2831MAN AM-CL2845MAN	Suitable for Coreless Motor Encoder S: AM-EN1611S***
Brushless Motor AM-BL2845AN AM-BL2453AN	Suitable for Brushless Motor Encoder S: AM-EN1611S*** Encoder T: AM-EN2412T***

GEARBOX MOTOR LENGTH "LT"				
Gear motor length L_T	69.6	90.2	81.2	109.5
Gearbox length L_1	26.9	33.2	39.5	45.8
Motor length L_2	32	45	31	53
Encoder length L_3	10.7	12	10.7	10.7

Download datasheet: <https://assunmotor.com/documents-download>

Visit Our Website and Online Shop at <https://assunmotor.com> Contact: info@assunmotor.com