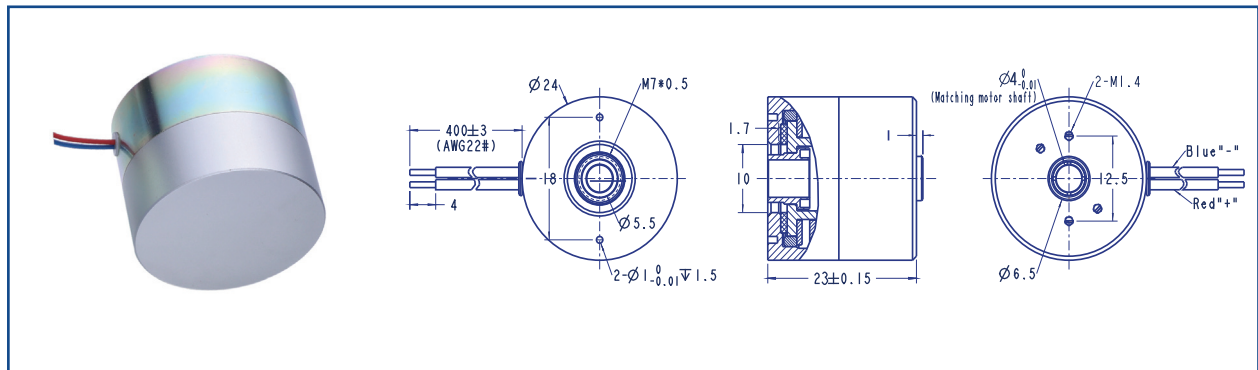


AM-BK2423LE Series



ELECTROMAGNETIC BRAKE

1) Parameters							
Parameters/Models	Static friction torque	Rated voltage	Power	Temperature Rating	Maximum speed	Moment of inertia	Weight
AM-BK2423LE-2402	0.2 N.M	24 V	4.0 W	120 °C	10000 rpm	18.0 g.cm ²	80.8 g
Parameters/Models	Life time	Thermal Resostamce	Thermal time constant	Coil Inductance	Electrical time constant	Operating Environment Temperature	
AM-BK2423LE-2402	100000 Times	24.0 K/W	830 s	86.3 mH	0.9 ms	-25~55 °C (Customizable)	

2) Special features		3) Applications	
1. Fixed accuracy, no backlash	2. Small size and high torque	1. Robotic brake	2. Z-axis brake
3. Low noise, high speed	4. Fast response and long life	3. Servo motor static braking	4. General purpose motor

- 4) Precautions**
1. Avoid contact with oil or dust, these factors will reduce the torque of the product;
 2. Please connect with the product with the correct voltage and polarity to avoid damage or abnormal work;
 3. The initial torque may not reach the rated torque for the first time. Please rotate 50 to 60 times at 40 to 60 rpm in the braking state;
 4. This product cannot be used as a high-speed dynamic brake.

5) Recommended Combination					
Total Length of Geared Motor System: LT = L1+L3+L4 (L4 = 23mm)					
L2:BL24	L3:EN16S	L3:EN24T	L2:BL28	L3:EN16S	L3:EN24T
53.0	10.7	12.0	45.0	10.7	12.0
L2:BL32	L3:EN22S	L3:EN24T			
60.0	10.7	12.0			
70.0					

AM-BK2423LE Combination Scheme

Recommended Motor:
 Brushless Motor:
 AM-BL/D24**
 AM-BL/D28**
 AM-BL/D32**

Recommended Encoder:
 Encoder S: AM-EN11S***
 AM-EN2211S***
 Encoder T: AM-EN2412T***

For more combination specs, visit Assun Motor website.
 For more Motor and encoder specs, see Assun Motor website.

Please tell us if there is vibration in application. Client should pay attention to the integrity and reliability of the transmitted signal.

Download datasheet: <https://assunmotor.com/documents-download>