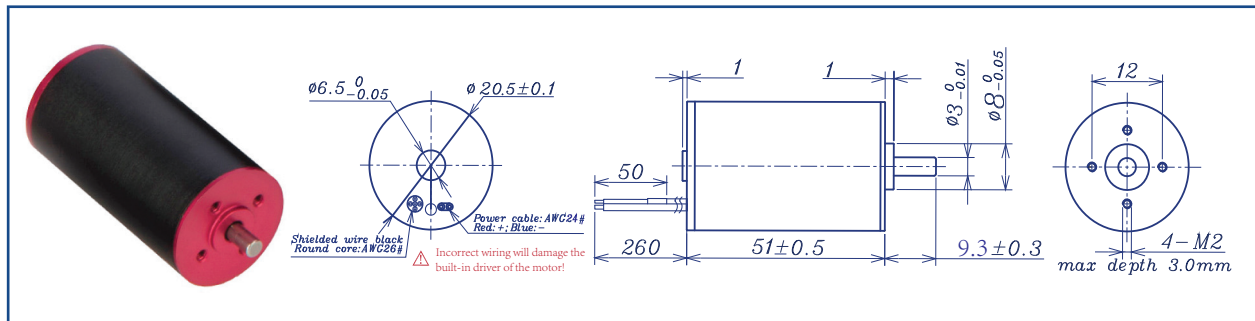


AM-PI2051AN SERIES (Built-In Position Control)



	Brushless Servo Motor		Ball Bearing	
Motor Model		2412	1210	
Nominal voltage	V	24	12	
Voltage range	V	21.5~26.5	10.5~13.5	
No-load holding current	mA	45	45	
Static holding torque	mN_m	10.0	10.0	
Static holding current	mA	150	330	
Rated torque	mN_m	10.0	10.0	
Rated speed	rpm	12000	10000	
Pulse number / circle	Pulse / circle	256	256	
Overload torque	mN.m	20.0	20.0	
Maximum overload time	second	3	3	
Moment of inertia	gcm ²	1.13	1.13	
Weight	g	78.5	78.5	

Additional Information			
Note: Excessive shock loads and periodic oscillations can cause the motor to run unsteadily. Stabilize the system by improving the load.			
Motor thermal resistance:	14.6K/W	Motor thermal time constant:	680S
Axial (dynamic):	2.5 N	Radial (5mm from head face):	16.0 N
Press-fit force (static):	50 N	L: Max allowable screw depth info flange:	3.0 mm
Maximum radial runout (5mm from the thread surface):	≤0.02 mm	Axial play:	0 (<4.0N)
Maximum winding temperature	85°C	Ambient temperature range:	-30 to 65 °C

Part Information					
Control function description		<p>Wiring Diagram</p>	<p>Recommended pulse control curve</p>		
Input level description	VIL max 0.8V ; VIH min 2.0V				
Pulse input (red)	Falling edge is valid				
Steering input (yellow)	High CW Low CCW				
Input GND (white)	Universal input port				
Total Length: LT=L1+L2+L3					
L1:24GP	L1:20GP	L2 :PI2052	L3		
22.2	18.8	51.5			
27.4	23.6				
32.6	28.4				
<p>AM-PI2051AN Combination Scheme</p>					
<p>Recommended Gearbox: AM-20GP AM-24GP</p> <p>For more combination specs, visit Assun Motor website.</p>					
<p>Note: The customer can select the gearbox to match the motor. It is recommended to weld motor shaft gears, some of which are listed here for reference.</p>					

Download datasheet: <https://assunmotor.com/documents-download>