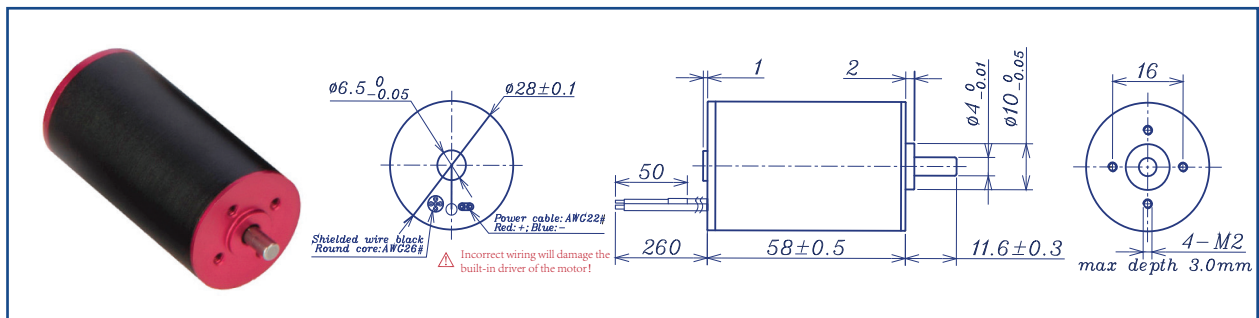


AM-PI2858AN SERIES (Built-In Position Control)



	Brushless Servo Motor	Ball Bearing
Motor Model	2410	
Nominal voltage	V 24	
Voltage range	V 21.5~26.5	
No-load holding current	mA 45	
Static holding torque	mN·m 29.0	
Static holding current	mA 250	
Rated torque	mN·m 29.0	
Rated speed	rpm 10000	
Pulse number / circle	Pulse / circle 256	
Overload torque	mN.m 50.0	
Maximum overload time	second 3	
Moment of inertia	gcm ² 6.19	
Weight	g 155	

Additional Information

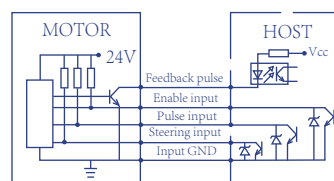
Note: Excessive shock loads and periodic oscillations can cause the motor to run unsteadily. Stabilize the system by improving the load.

Motor thermal resistance:	10.2 K/W	Motor thermal time constant:	822 S
Axial (dynamic):	4.0 N	Radial (5mm from head face):	16.0 N
Press-fit force (static):	50 N	Max allowable screw depth info flange:	3.0 mm
Maximum radial runout (5mm from the thread surface):	≤0.02 mm	Axial play:	0 (<4.0N)
Maximum winding temperature	85°C	Ambient temperature range:	-30 to 65 °C

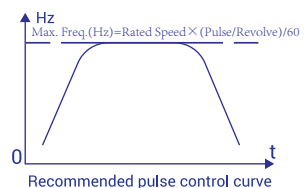
Part Information

Control function description

Input level description	VIL max 1.2V ; VIH min 22V
Pulse input (red)	Falling edge is valid
Direction control (white)	High CW Low CCW
Enable input (yellow)	VIL Enable
Feedback pulse (green)	32 pulse / rev
Input GND (black)	Universal input port



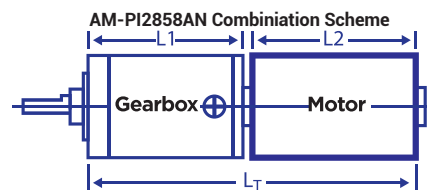
Wiring diagram



Total Length $L_T=L_1+L_2+L_3$

L1:28GP	L1:32GP	L2 :PI28	L3
25.9	27.4	58.0	
33.1	35.9		
40.3	44.4		

Note: The customer can select the gearbox to match the motor. It is recommended to weld motor shaft gears, some of which are listed here for reference.



Recommended Gearbox:

AM-28GP
AM-32GP

For more combination specs, visit Assun Motor website.

Download datasheet: <https://assunmotor.com/documents-download>