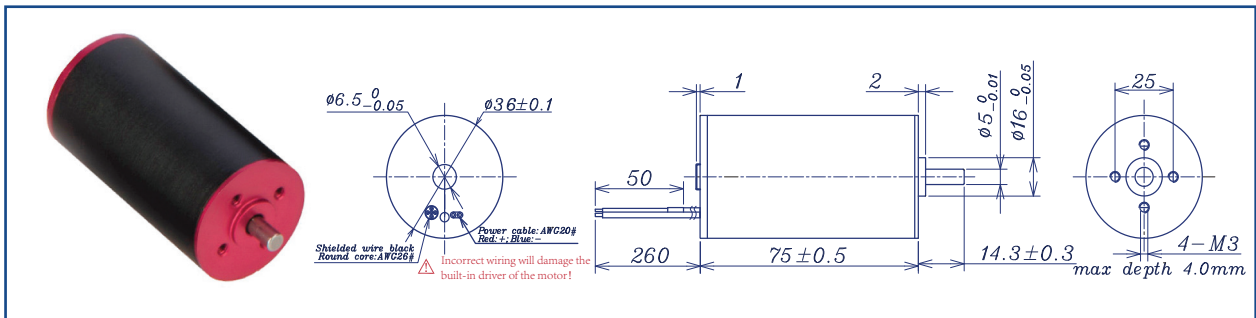


AM-PI3675AN SERIES (Built-In Position Control)



Brushless Servo Motor		Ball Bearing	
Motor Model		2410	
Nominal voltage	V	24	
Voltage range	V	21.5~26.5	
No-load holding current	mA	45	
Static holding torque	mN·m	52.0	
Static holding current	mA	350	
Rated torque	mN·m	52.0	
Rated speed	rpm	10000	
Pulse number / circle	Pulse / circle	256	
Overload torque	mN.m	80.0	
Maximum overload time	second	3	
Moment of inertia	gcm ²	16.75	
Weight	g	345	

Additional Information			
Note: Excessive shock loads and periodic oscillations can cause the motor to run unsteadily. Stabilize the system by improving the load.			
Motor thermal resistance:	6.9 K/W	Motor thermal time constant:	1188 S
Axial (dynamic):	6.0 N	Radial (5mm from head face):	16.0 N
Press-fit force (static):	50 N	Max allowable screw depth into flange:	4.0 mm
Maximum radial runout (5mm from the thread surface):	≤0.02 mm	Axial play:	0 (<6.0N)
Maximum winding temperature	85°C	Ambient temperature range:	-30 to 65 °C

Part Information					
Control function description		<p>Wiring diagram</p>	<p>Recommended pulse control curve</p>		
Input level description	VIL max 1.2V ; VIH min 22V				
Pulse input (red)	Falling edge is valid				
Direction control (white)	High CW Low CCW				
Enable input (yellow)	VIL Enable				
Feedback pulse (green)	32 pulse / rev				
Input GND (black)	Universal input port				
Total Length LT=L1+L2+L3					
L1:36GP	L1:40GP		L2 :PI36	L3	
39.6	46.8		75.0		
48.6	58.3				
57.6	69.8				
<p>AM-PI3675 AN Combination Scheme</p>					
<p>Note: The customer can select the gearbox to match the motor. It is recommended to weld motor shaft gears, some of which are listed here for reference.</p>					
<p>Recommended Gearbox:</p> <p>AM-36GP AM-40GP</p> <p>For more combination specs, visit Assun Motor website.</p>					

Download datasheet: <https://assunmotor.com/documents-download>

Visit Our Website and Online Shop at <https://assunmotor.com> Contact: info@assunmotor.com