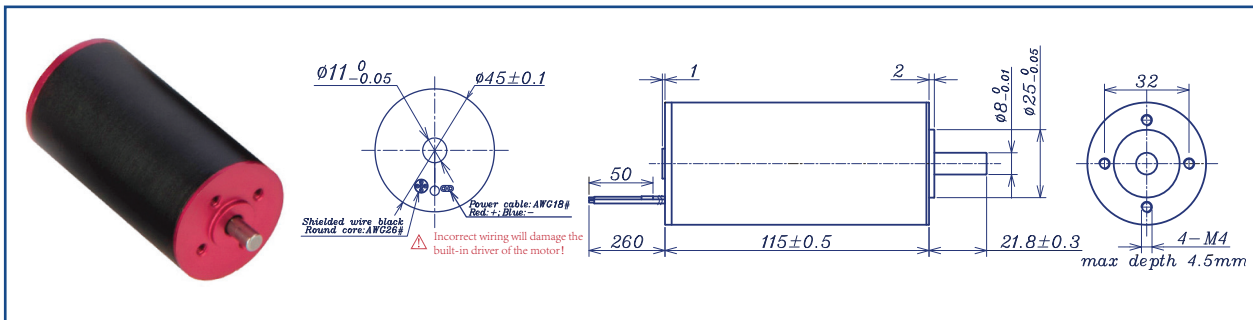


AM-PI45115AN SERIES (Built-In Position Control)



	Brushless Servo Motor	Ball Bearing
Motor Model	2408	
Nominal voltage	V 24	
Voltage Range	V 21.5~26.5	
No-load holding current	mA 55	
Static holding torque	mN·m 65.0	
Static holding current	mA 550	
Rated torque	mN·m 65.0	
Rated speed	rpm 8000	
Pulse number / circle	Pulse / circle 256	
Overload torque	mN.m 120.0	
Maximum overload time	second 3	
Moment of inertia	gcm ² 109.8	
Weight	g 880	

Additional Information

Note: Excessive shock loads and periodic oscillations can cause the motor to run unsteadily. Stabilize the system by improving the load.

Motor thermal resistance:	3.6 K/W	Motor thermal time constant:	1286 S
Axial (dynamic):	8.0 N	Radial (5mm from head face):	180.0 N
Press-fit force (static):	100 N	Max allowable screw depth into flange:	4.5 mm
Maximum radial runout (5mm from the thread surface):	≤0.02 mm	Axial play:	0 (<6.0N)
Maximum winding temperature	85°C	Ambient temperature range:	-30 to 65 °C

Part Information

Control function description		Wiring diagram	Recommended pulse control curve
Input level description	VIL max 1.2V ; VIH min 22V		
Pulse input (red)	Falling edge is valid		
Direction control (white)	High CW Low CCW		
Enable input (yellow)	VIL Enable		
Feedback pulse (green)	32 pulse / rev		
Input GND (black)	Universal input port		
Total Length LT=L1+L2+L3			
L1:45GP	L1:52GP	L2 :PI45	L3
62.8	81.0	115.0	
74.8			
<p>Note: The customer can select the gearbox to match the motor. It is recommended to weld motor shaft gears, some of which are listed here for reference.</p>		<p>AM-PI45115AN Combination Scheme</p> <p>Recommended Gearbox: AM-45GP AM-52GP</p> <p>For more combination specs, visit Assun Motor website.</p>	

Download datasheet: <https://assunmotor.com/documents-download>

Visit Our Website and Online Shop at <https://assunmotor.com> Contact: info@assunmotor.com