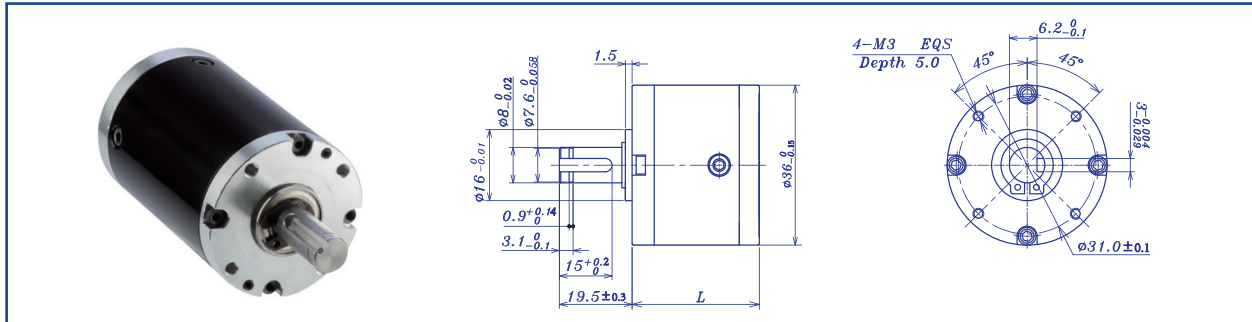


AM-36P Series

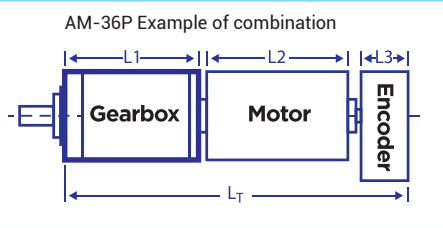


GEARBOX CHARACTER

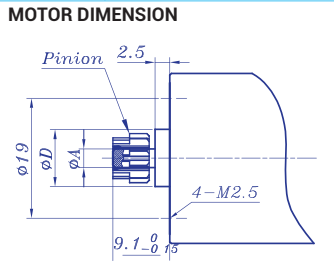
Gear type	Straight teeth	Average backlash on load	$\leq 2.5^\circ$
Output shaft	Stainless steel hardened	Radial Play	$\leq 0.06$
Main gear	Alloy Steel	Permissible axial load	$\leq 150N$
Ring gear	Steel	Permissible force press fits	$\leq 240N$ (5mm from mounting face)
Adapter plate	Aluminium alloy	Recommended inut speed	$\leq 8000RPM$
Bearing AT output	Ball bearing	Operating temperature range	$-20^\circ C \sim +50^\circ C$
Axial play	0-0.3	Operating humidity range	10-90%RH
Directions	CW/CCW		

GEARBOX DATA

Number of stage	1	2	3	4
Reduction ratio X:1	3.4	12 22	40 83 162	224 399 649 1270
	3.8	13 26	44 98 171	255 421 738
	4.3	14 32	50 111 202	283 446 824
	5.1	16 40	66 131	322 513 948
	6.3	19	75 150	358 570 1078
Reduction ratio absolute	75/22	5625/484 2277/104	421875/10648 75141/676	607500/2717 107163/209
	72/19	2700/209 4356/169	101250/2299 287496/2197	1164375/4576 5143824/9025
	69/16	5814/361 2079/65	388125/7744 71441/475	139725/494 2464749/3800
	66/13	621/38 3969/100	16200/247 137214/845	1071225/3328 18896409/25600
	63/10	4761/256	15525/208 273861/1600	1414017/3952 9056124/10985
			20493/247 130977/650	4499145/11264 2250423/2375
		313632/3211	1352538/3211 17253243/16000	
			980100/2197 8251551/6500	
Gearbox length "L" (mm)	30.7	39.3	47.9	56.5
Max. continuous torque (N.m)	2.7	3.6	4.5	5.4
Max. intermitten torque (N.m)	4	5.3	6.6	7.9
Gearbox efficiency	90%	81%	72%	65%
Moment of inertia range (g.cm <sup>2</sup> )	4.9	4.9	6.1	6.1
Gearbox weight approx (g)	162	208	288	323
Gearbox model	AM-36PA-X-01	AM-36PB-X-01	AM-36PC-X-01	AM-36PD-X-01



INPUT GEARBOX DATA				
Modulus	0.5			
Press angle	20°			
Teeth number	10	13	16	19 22
Max gear hole "A"	2.5	4.0	5.0	6.0
Max motor shaft	2.5	4.0	5.0	6.0
Motor dimension "D"	13			



Recommend Motor:  
Coreless Motor: (w/E)  
AM-CL3570GAN  
Brushless Motor (w/E)  
AM-BL3660AN  
AM-BL3675BF  
AM-BL3690BF

Recommend Encoder:  
Suitable for Coreless Motor  
Encoder S: AM-EN2211S\*\*\*  
Encoder T: AM-EN2412T\*\*\*

Suitable for Brushless Motor  
Encoder S: AM-EN2211S\*\*\*  
Encoder T: AM-EN3612T\*\*\*

GEARBOX MOTOR LENGTH "LT"		
Gear motor length $L_T$	113.2	110.5
Gearbox length $L_1$	30.7	39.3
Motor length $L_2$	70.5	60.5
Encoder length $L_3$	12	10.7

Download datasheet: <https://assunmotor.com/documents-download>

Visit Our Website and Online Shop at <https://assunmotor.com> Contact: [info@assunmotor.com](mailto:info@assunmotor.com)

PLANETARY GEARBOX