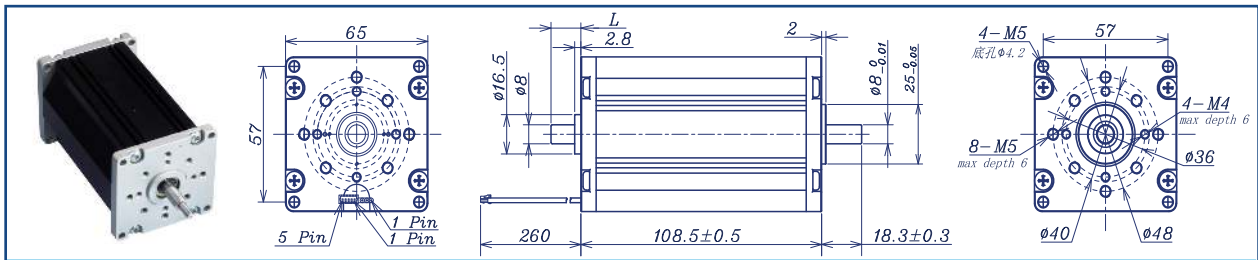


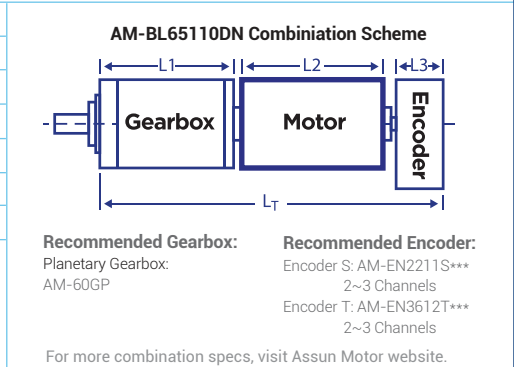
AM-BL65110DN Seires



		Brushless Motor		Ball Bearings	
<b>Motor Model</b>			2404	4003	
Nominal voltage		V	24	40	
No Load Speed ±12%		rpm	3550	3450	
No load current Max 150%		mA	225	135	
Recommend Limit for continuous operating	Max cont. torque	mN.m	403.0	403.5	
	Rated Speed	rpm	3037	2922	
	Rated Current	mA	6500	3800	
	Rated Power	W	128.2	123.5	
Starting current		mA	43636	24096	
Stall torque		mN.m	2788	2638	
Maximum power output		W	259.1	238.3	
Maximum Efficiency		%	86	86	
Terminal resistance ±12%		Ω	0.55	1.66	
Inductance (1KHz)		mH		0.44	
Mechanical time constant		ms	19.8	20.4	
Moment of inertia		gcm <sup>2</sup>	1486	1486	
Torque constant		mN.m/A	64.2	110.1	
Speed constant		rpm/V	149	87	
Speed/torque gradient		rpm/mN.m	1.3	1.3	
Weight		g	1300	1308	

ADDITIONAL INFORMATION			
Motor thermal resistance:	2.6 K/W	Motor thermal time constant:	2025 S
Axial (dynamic):	30.0 N	Radial (5mm from mounting face):	180.0 N
Press-fit force (static):	150 N	Max allowable screw depth into flange:	6.0mm
Maximum radial play (5mm from mounting face):	≤0.02 mm	Axial play:	0 (<12.0N)
Maximum winding temperature:	85°C	Ambient temperature range:	-30 to 65°C
Standard Rear Shaft Diameter:	8 mm	Standard rear shaft length "L":	0/3.7/5.5 mm

Connection (AWG 18#)		减速电机总长: $L_T=L_1+L_2+L_3$			
Cable 1: Yellow	Winding A	L1:60GP	L2:BL65	L3:EN22S	L3:EN36T
Cable 2: Red	Winding B	73.5	108.5	10.7	12.0
Cable 3: Blue	Winding C				
Plug definition (AWG 28#) Molex: 51021-0500					
Plug 1: Red	Hall 3~16V				
Plug 2: Black	Hall GND				
Plug 3: Yellow	Hall A	Remarks: Client can choose gearbox and encoder to match with this motor. Some combinations are listed here for reference.			
Plug 4: Red	Hall B				
Plug 5: Blue	Hall C				



Motor data tested at 25°C. Motor operation exceeding continuous limits will reduce life or result in damage.  
At elevated ambient temperatures, load current must be reduced.

Download datasheet: <https://assunmotor.com/documents-download>