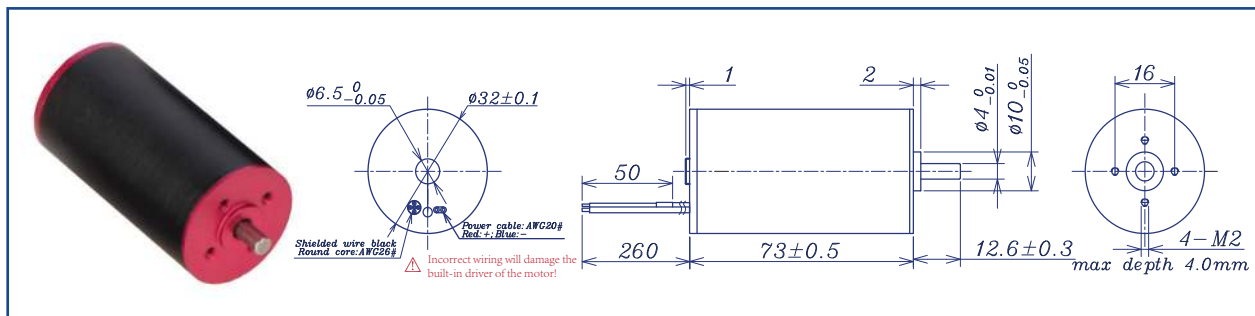


## AM-PI3273AN SERIES (Built-In Position Control)



	Brushless Servo Motor	Ball Bearing
<b>Motor Model</b>	<b>2410</b>	
Nominal voltage	V 24	
Voltage range	V 21.5~26.5	
No-load holding current	mA 45	
Static holding torque	mN·m 35.0	
Static holding current	mA 320	
Rated torque	mN·m 35.0	
Rated speed	rpm 10000	
Pulse number / circle	Pulse / circle 256	
Overload torque	mN.m 70.0	
Maximum overload time	second 3	
Moment of inertia	gcm <sup>2</sup> 13.3	
Weight	g 270	

Additional Information			
Note: Excessive shock loads and periodic oscillations can cause the motor to run unsteadily. Stabilize the system by improving the load.			
Motor thermal resistance:	7.8 K/W	Motor thermal time constant:	1089 S
Axial (dynamic):	6.0 N	Radial (5mm from head face):	16.0 N
Press-fit force (static):	50 N	Max allowable screw depth into flange:	4.0 mm
Maximum radial runout (5mm from the thread surface):	≤0.02 mm	Axial play:	0 (<6.0N)
Maximum winding temperature	85°C	Ambient temperature range:	-30 to 65 °C

Part Information					
<b>Control function description</b>		<p>Wiring diagram</p>	<p>Recommended pulse control curve</p>		
Input level description	VIL max 1.2V ; VIH min 22V				
Pulse input (red)	Falling edge is valid				
Direction control (white)	High CW Low CCW				
Enable input (yellow)	VIL Enable				
Feedback pulse (green)	32 pulse / rev				
Input GND (black)	Universal input port				
<b>Total Length LT=L1+L2+L3</b>					
<b>L1:32GP</b>	<b>L1:36GP</b>	<b>L2 :PI32</b>	<b>L3</b>		
27.4	39.6	73.0			
35.9	48.6				
44.4	57.6				
<p><b>AM-PI3273AN Combination Scheme</b></p>					
<p>Note: The customer can select the gearbox to match the motor. It is recommended to weld motor shaft gears, some of which are listed here for reference.</p>					
<p><b>Recommended Gearbox:</b></p> <p>AM-32GP AM-36GP</p> <p>For more combination specs, visit Assun Motor website.</p>					

Download datasheet: <https://assunmotor.com/documents-download>

Visit Our Website and Online Shop at <https://assunmotor.com> Contact: [info@assunmotor.com](mailto:info@assunmotor.com)