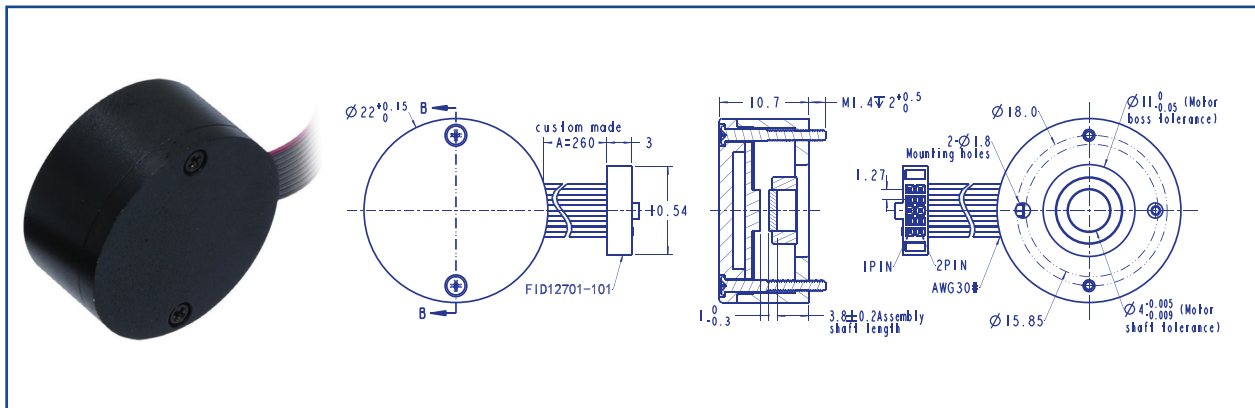


AM-EN2211S103(BL) SERIES



ELECTROMAGNETIC ENCODER

1) Parameters

Parameters/Models	AM-EN2211 S103-0032	AM-EN2211 S103-0064	AM-EN2211 S103-0128	AM-EN2211 S103-0256	AM-EN2211 S103-0512	AM-EN2211 S103-1024
Diameter	22	22	22	22	22	22
PPR/TURN	32	64	128	256	512	1024
Max Channels	3	3	3	3	3	3
Max Working Freq.(KHz)	20	40	100	180	360	512
Direction Signal	no	no	no	no	no	no
Drive (Differential Output)	yes	yes	yes	yes	yes	yes

2) Information

Technical Parameter		Suitable for motor size		Pin definition		Connection Diagram (CW)
Power Vcc	5V±5%	Suitable for shaft diameter	4.0; 5.0; 8.0	1. NC	2. Vcc	
Vcc=5.0V Signal	ISL32179	Suitable for shaft length	3.7~4.0	3. GND	4. NC	
Operating Temperature	-40~125°C	Suitable for boss diameter	10.95~11.0	5. A-	6. A+	
Inertia (max)	0.015 g.cm ²	Suitable for boss thickness	Maximum 1.0	7. B-	8. B+	
Output Current, each channel	1.5mA(max)	Code wheel spacing	0.7~1.0	9. Z-	10. Z+	
Weight	9.0 g	Other fixed size	Drawing			

3) Recommend Combination

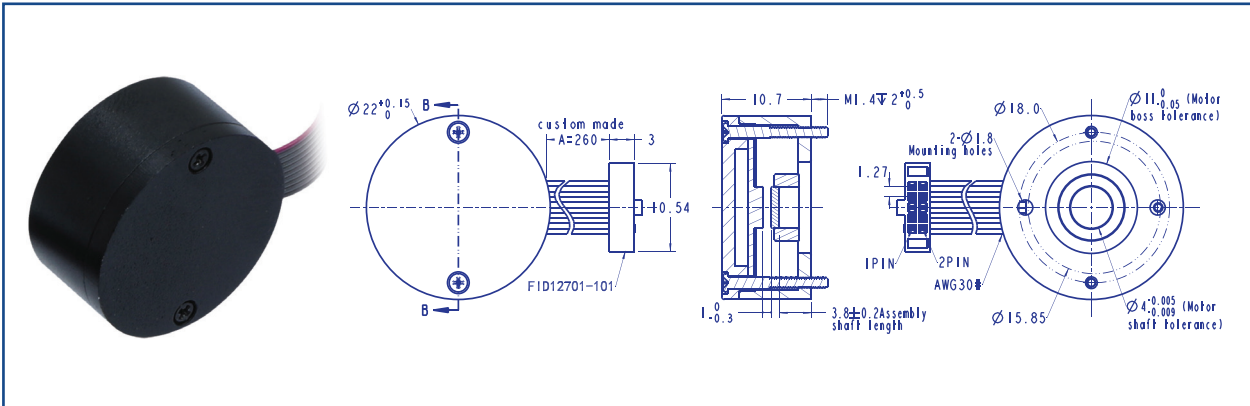
Total Length of Geared Motor System : L _T =L ₁ +L ₂ +(L ₃ =10.7mm)						AM-EN2211S*** Combination Scheme
L1:32GP	L1:36GP	L2:BL32	L1: 36GP	L1: 40GP	L2:BL36	
27.4	39.6	60.0	39.6	46.8	60.5	Recommended Gearbox: Planetary Gearbox: AM-32GP AM-45GP AM-36GP AM-52GP AM-40GP Recommended Motor: BRUSH LESS Motor: AM-BL/D32** AM-BL40** AM-BL/D36** AM-BL/D45*** For more combination specs, visit Assun Motor website.
35.9	48.6	70.0	48.6	58.3		
44.4	57.6		57.6	69.8		
L1:45GP	L1:52GP	L2:BL45	L1: 60GP		L2:BL65	Remarks: Clients can choose gearbox and motor to match with this encoder. Some combinations are listed here for reference.
62.8	81.0	100.0	73.5		108.5	
74.8					140.0	

Please tell us if there is vibration in application. Client should pay attention to the integrity and reliability of the transmitted signal.

Download datasheet: <https://assunmotor.com/documents-download>

Visit Our Website and Online Shop at <https://assunmotor.com> Contact: info@assunmotor.com

AM-EN2211S103(CL) SERIES



ELECTROMAGNETIC ENCODER

1) Parameters

Parameters/Models	AM-EN2211 S103-0032	AM-EN2211 S103-0064	AM-EN2211 S103-0128	AM-EN2211 S103-0256	AM-EN2211 S103-0512	AM-EN2211 S103-1024
Diameter	22	22	22	22	22	22
PPR/TURN	32	64	128	256	512	1024
Max Channels	3	3	3	3	3	3
Max Working Freq.(KHz)	20	40	100	180	360	512
Direction Signal	no	no	no	no	no	no
Drive (Differential Output)	yes	yes	yes	yes	yes	yes

2) Information

Technical Parameter		Suitable for motor size		Pin definition		Connection Diagram (CW)
Power Vcc	5V±5%	Suitable for shaft diameter	2.0; 4.0	1. NC	1. Vcc	
Vcc=5.0V Signal	ISL32179	Suitable for shaft length	3.7~4.0	3. GND	4. NC	
Operating Temperature	-40~125°C	Suitable for boss diameter	10.95~11.0	5. A-	6. A+	
Inertia (max)	0.015 g.cm ²	Suitable for boss thickness	Maximum 1.0	7. B-	8. B+	
Output Current, each channel	1.5mA(max)	Code wheel spacing	0.7~1.0	9. Z-	10. Z+	
Weight	9.0 g	Other fixed size	Drawing			

3) Recommend Combination

Total Length of Geared Motor System :L _T =L ₁ +L ₂ +(L ₃ =10.7mm)						AM-EN2211S*** Combination Scheme 	
L1:20GP	L1:24GP	L2:CL22	L2: 36GP	L1:40GP	L2:CL35		
18.8	22.2	32.2	39.6	46.8	70.5	Recommended Gearbox: Planetary Gearbox: AM-20GP AM-40GP AM-24GP AM-45GP AM-36GP For more combination specs, visit Assun Motor website.	
23.6	27.4	42.0	48.6	58.3			
28.4	32.6		57.6	69.8			
L1:45GP		L2:CL45					Recommended Motor: Coreless Motor: AM-CL22** AM-CL35**
62.8		70.5					
74.8							

Please tell us if there is vibration in application. Client should pay attention to the integrity and reliability of the transmitted signal.

Download datasheet: <https://assunmotor.com/documents-download>

Visit Our Website and Online Shop at <https://assunmotor.com> Contact: info@assunmotor.com