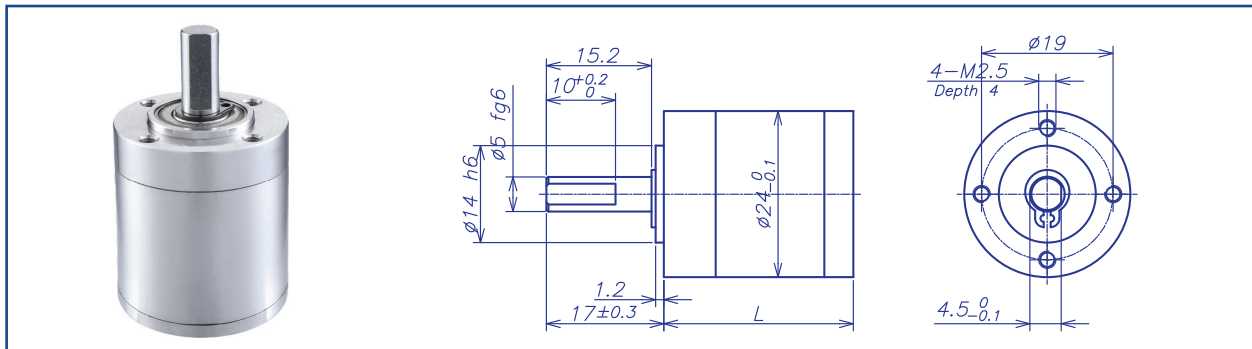


AM-24GP Series

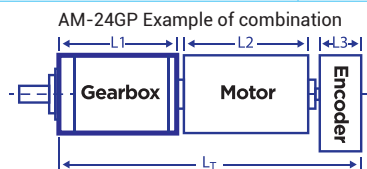


GEARBOX CHARACTER

Gear type	Straight teeth	Radial Play (10mm from flange)	max 0.1mm
Output shaft	Stainless steel hardened	Permissible force press fits	max. 150 N
Main gear	Alloy steel hardened	Permissible axial load (dynamic)	max. 100N
Ring gear	Stainless steel hardened	Recommended inut speed	8000RPM
Adapter plate	Stainless steel	Operating temperature range	-40°C ~ +100°C
Bearing AT output	Ball bearing	Operating humidity range	10-90%RH
Axial play	0-0.3	Number of stages	1 2 3 4
Directions	CW/CCW	Permissible load (12mm from flange)	65N 65N 70N 70N

GEARBOX DATA

Number of stage	1			2		3		4				
	Reduction ratio X:1	3.3	4	5.5	11 13 16 18 22	30	34 42 52 58	64 72 88 98 121	166	112 137 169 189 208 232	256 286 320 352 393 484	541 666
Reduction ratio absolute	13/4	4/1	11/2	169/16 13/1 16/1 143/8 22/1	121/4	2197/64 169/4 52/1 1859/32	64/1 143/2 88/1 1573/16 121/1	1331/8	28561/256 2197/16 169/1 24167/128 208/1 1859/8	256/1 286/1 20449/64 352/1 1573/4 484/1 17303/32 1331/2	14641/16	
Motor shaft max. diametre (mm)	4	2		4	2	4	2	4	2	4	2	
Gearbox lenght "L" (mm)	22.2			27.4		32.6		37.8				
Max. continuous torque (N.m)	0.5			0.7		0.9		1.2				
Max. intermittent torque (N.m)	0.75			1.05		1.35		1.8				
Average backlash no load	1.0°			1.2°		1.3°		1.3°				
Gearbox efficiency	90%			81%		73%		65%				
Max. mass inertia (g.cm ²)	0.33			0.34		0.34		0.34				
Gearbox weight approx (g)	70			85		100		115				
gearbox model	AM-24GPA-X			AM-24GPB-X		AM-24GPC-X		AM-24GPD-X				



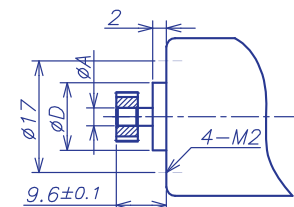
Recommend Motor:
Coreless Motor (w/E)
AM-CL2232GAN
AM-CL2232MAN
AM-CL2242GAN
AM-CL2242MAN
AM-CL2532MAN
AM-CL2545MAN
Brushless Motor (w/E)
AM-BL2032AN
AM-BL2040AN
AM-BL2051AN
AM-BL2453AN

Recommend Encoder:
Suitable for Coreless Motor
Encoder S: AM-EN1611S***
Encoder S: AM-EN2211S***
Suitable for Brushless Motor
Encoder S: AM-EN1611S***
Encoder T: AM-EN2412T***

INPUT GEARBOX DATA

Modulus	0.35
Press angle	20°
Teeth number	12 18 24
Max gear hole "A"	2 4 4
Max motor shaft	2 4 4
Motor dimension "D"	5.5 7.5 9.5

MOTOR DIMENSION



GEARBOX MOTOR LENGTH "LT"

Gear motor length LT	64.9	80.1	97.6
Gear box length L1	22.2	27.4	32.6
Motor length L2	32	42	53
Encoder length L3	10.7	10.7	12

Download datasheet: <https://assunmotor.com/documents-download>

Visit Our Website and Online Shop at <https://assunmotor.com> Contact: info@assunmotor.com