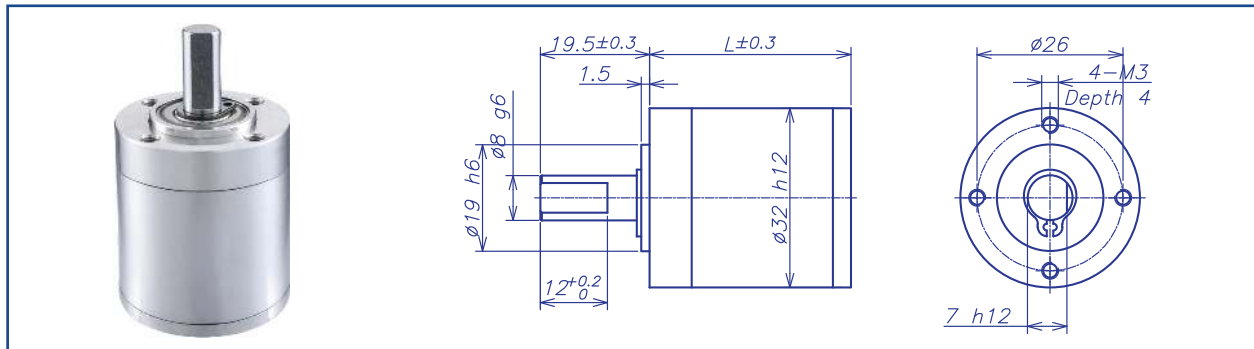


AM-32GP Series



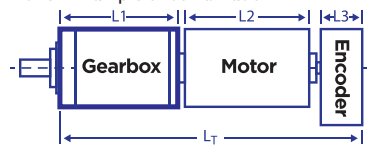
**GEARBOX CHARACTER**

Gear type	Straight teeth	Radial Play (10mm from flange)	max 0.1mm
Output shaft	Stainless steel hardened	Permissible force press fits	max. 150 N
Main gear	Alloy steel hardened	Permissible axial load (dynamic)	max. 120N
Ring gear	Stainless steel hardened	Recommended input speed	8000RPM
Adapter plate	Stainless steel	Operating temperature range	-40°C ~ +100°C
Bearing AT output	Ball bearing	Operating humidity range	10-90%RH
Axial play	0-0.3	Number of stages	1 2 3 4
Directions	CW/CCW	Permissible load (13mm from flange)	80N 130N 145N 145N

**GEARBOX DATA**

Number of stage	1			2		3			4			
	Reduction ratio X:1	3.4	4.2	5.8	11	33	38	72	190	130	301	642
Reduction ratio absolute				14		47	81		160	337	792	
				17		59	100		198	377		
				19		65	112		221	416		
				24			138		244	465		
									273	574		
Reduction ratio absolute	27/8	25/6	23/4	729/64	529/16	19683/512	15625/216	12167/64	531441/4096	390625/1296		279841/256
Motor shaft max. diameter (mm)	4	3		4	3		4	3		4		3
Gearbox length "L" (mm)	27.4			35.9		44.4			52.9			
Max. continuous torque (N.m)	0.8			2		3.6			4			
Max. intermittent torque (N.m)	1.2			3		5.4			6			
Average backlash no load	0.8°			1.0°		1.0°			1.0°			
Gearbox efficiency	90%			81%		73%			65%			
Max. mass inertia (g.cm <sup>2</sup> )	1.75			1.82		1.82			1.82			
Gearbox weight approx (g)	155			200		245			290			
gearbox model	AM-32GPA-X			AM-32GPB-X		AM-32GPC-X			AM-32GPD-X			

AM-32GP Example of combination



**Recommend Motor:**  
Coreless Motor (w/E)  
AM-CL2831MAN  
AM-CL2845MAN  
Brushless Motor (w/E)  
AM-BL2453AN  
AM-BL2845AN  
AM-BL3260AN  
AM-BL3270AN  
AM-BD2845AN  
AM-BD3260AN  
AM-BD3270AN

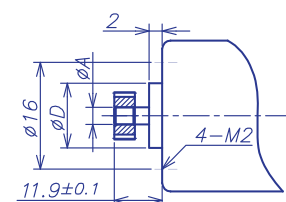
**Recommend Encoder:**  
Suitable for Coreless Motor  
Encoder S: AM-EN1611S\*\*\*  
2~3 Channels

Suitable for Brushless Motor  
Encoder S: AM-EN1611S\*\*\*  
2~3 Channels  
Encoder T: AM-EN2412T\*\*\*  
2~3 Channels  
Encoder S: AM-EN2211S\*\*\*  
2~3 Channels

**INPUT GEARBOX DATA**

Modulus	0.45
Press angle	20°
Teeth number	12 18 24
Max gear hole "A"	3 4 4
Max motor shaft	3 4 4
Motor dimension "D"	7 10 12

**MOTOR DIMENSION**



**GEARBOX MOTOR LENGTH "LT"**

Gear motor length L <sub>T</sub>	83.1	106.6	126.4
Gear box length L <sub>1</sub>	27.4	35.9	44.4
Motor length L <sub>2</sub>	45	60	70
Encoder length L <sub>3</sub>	10.7	10.7	12

Download datasheet: <https://assunmotor.com/documents-download>

Visit Our Website and Online Shop at <https://assunmotor.com> Contact: [info@assunmotor.com](mailto:info@assunmotor.com)