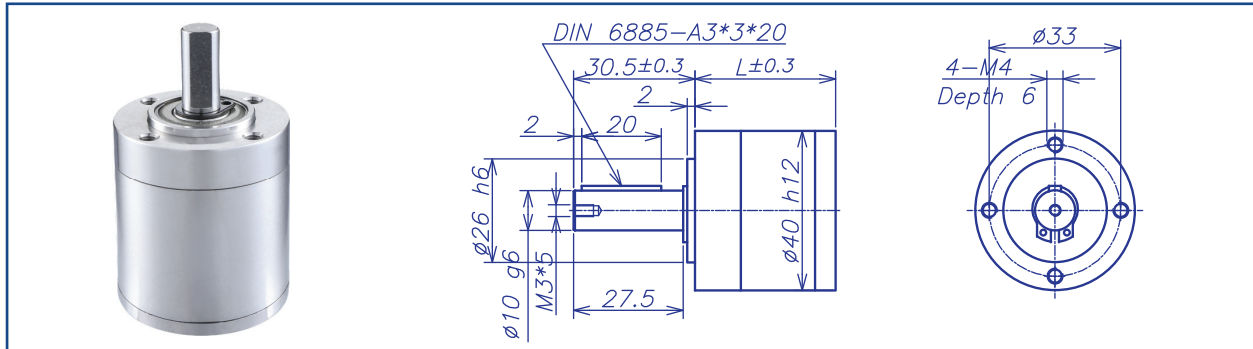


AM-40GP Series

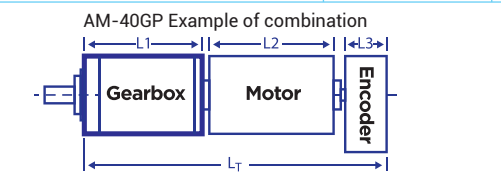


GEARBOX CHARACTER

Gear type	Straight teeth	Radial Play (10mm from flange)	max 0.1mm			
Output shaft	Stainless steel hardened	Permissible force press fits	max. 150 N			
Main gear	Alloy steel hardened	Permissible axial load (dynamic)	max. 150N			
Ring gear	Stainless steel hardened	Recommended input speed	8000RPM			
Adapter plate	Stainless steel	Operating temperature range	-40°C ~ +100°C			
Bearing AT output	Ball bearing	Operating humidity range	10-90%RH			
Axial play	0-0.3	Number of stages	1	2	3	4
Directions	CW/CCW	Permissible load (18mm from flange)	170N	250N	300N	300N

GEARBOX DATA

Number of stage	1			2		3			4			
	Reduction ratio X:1	3.3	4	5.5	11	30	34	64	166	112	256	541
Reduction ratio absolute	13/4	4/1	11/2	169/16	121/4	2197/64	64/1	1331/8	28561/256	256/1	14641/16	
				13/1		169/4	143/2		2197/16	286/1		
				16/1		52/1	88/1		169/1	20449/64		
				143/8		1859/32	1573/16		24167/128	352/1		
				22/1			121/1		208/1	1573/4		
Motor shaft max. diameter (mm)	6	5	6	5	6	5	6	5	6	5	6	5
Gearbox length "L" (mm)	35.3			46.8		58.3			69.8			
Max. continuous torque (N.m)	2			3		7			9			
Max. intermittent torque (N.m)	3			4.5		10.5			13.5			
Average backlash no load	0.7°			0.8°		0.8°			0.8°			
Gearbox efficiency	90%			81%		73%			65%			
Max. mass inertia (g.cm ²)	7.12			7.46		7.49			7.5			
Gearbox weight approx (g)	320			415		510			605			
gearbox model	AM-40GPA-X			AM-40GPB-X		AM-40GPC-X			AM-40GPD-X			



Recommend Motor:
Coreless Motor (w/E)
AM-CL3570GAN
AM-CL4071GAE

Brushless Motor (w/E)
AM-BL3660AN
AM-BL3675BF
AM-BL3690BF
AM-BL4060BF
AM-BD3660AN

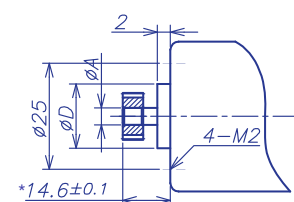
Recommend Encoder:
Suitable for Coreless Motor
Encoder S: AM-EN2211S***
Encoder T: AM-EN2412T***

Suitable for Brushless Motor
Encoder S: AM-EN2211S***
Encoder T: AM-EN2412T***
AM-EN3612T***

INPUT GEARBOX DATA

Modulus	0.6		
Press angle	20°		
Teeth number	12	18	24
Max gear hole "A"	5	6	6
Max motor shaft	5	6	6
Motor dimension "D"	9.5	13	16

MOTOR DIMENSION



GEARBOX MOTOR LENGTH "LT"

Gear motor length L_T	127.5	129	141.8
Gear box length L_1^*	46.8	58.3	69.8
Motor length L_2	70	60	60
Encoder length L_3	10.7	10.7	12

*Note: If combined with AM-CL3570, $L_1=L+5$ mm, distance between gear and motor= $14.6+5$ mm.

Download datasheet: <https://assunmotor.com/documents-download>

Visit Our Website and Online Shop at <https://assunmotor.com> Contact: info@assunmotor.com