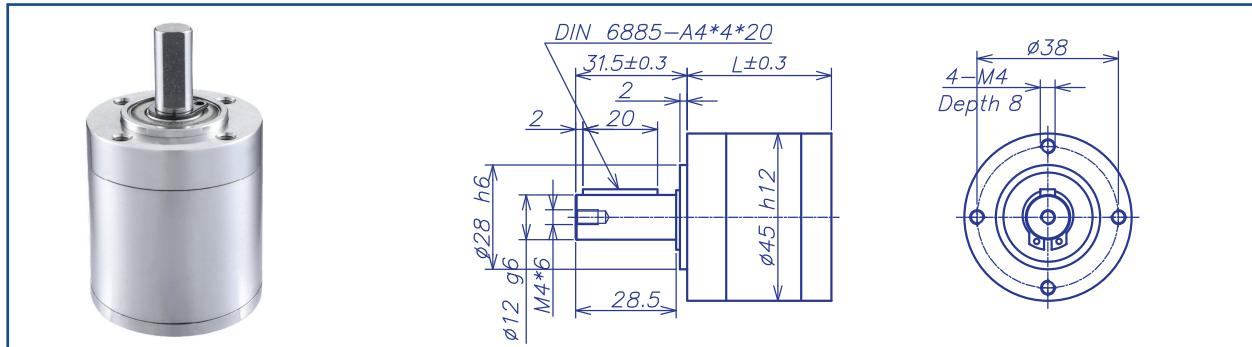


## AM-45GP Series

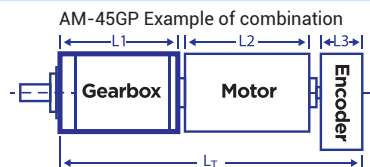


### GEARBOX CHARACTER

Gear type	Straight teeth	Radial Play (10mm from flange)	max 0.1mm
Output shaft	Stainless steel hardened	Permissible force press fits	max. 300 N
Main gear	Alloy steel hardened	Permissible axial load (dynamic)	max. 150N
Ring gear	Alloy steel hardened	Recommended input speed	8000RPM
Adapter plate	Stainless steel hardened	Operating temperature range	-40°C ~ +100°C
Bearing AT output	Ball bearing	Operating humidity range	10-90%RH
Axial play	0-0.3	Number of stages	1    2    3    4
Directions	CW/CCW	Permissible load (18mm from flange)	180N   280N   370N   370N

### GEARBOX DATA

Number of stage	1			2		3			4			
Reduction ratio X:1	3.3	4.0	5.2	11	27	37	64	141	123	256	469	731
Reduction ratio absolute	10/3	4/1	26/5	100/9	676/25	1000/27	64/1	17576/125	10000/81	256/1	469/5	456976/625
Motor shaft max. diameter (mm)	8	6	8	6	8	6	8	6	8	6	8	6
Gearbox length "L" (mm)	36.1			48.1		60.1			72.1			
Max. continuous torque (N.m)	3			7		12			14			
Max. intermittent torque (N.m)	4.5			10.5		18			21			
Average backlash no load	0.6°			0.7°		0.7°			0.7°			
Gearbox efficiency	90%			81%		73%			65%			
Max. mass inertia (g.cm <sup>2</sup> )	12.85			13.35		13.39			13.4			
Gearbox weight approx (g)	435			560		685			810			
gearbox model	AM-45GPA-X			AM-45GPB-X		AM-45GPC-X			AM-45GPD-X			



Recommend Motor:  
Coreless Motor (w/E)  
AM-CL3570GAN  
AM-CL4071GAE  
Brushless Motor (w/E)  
AM-BL3660AN    AM-BD3660AN  
AM-BL3675BF    AM-BD45100AN  
AM-BL3690BF  
AM-BL4060BF  
AM-BL45100AN  
AM-BL45100BF

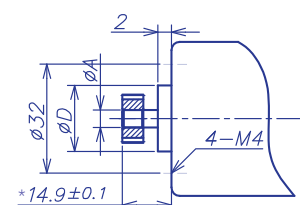
Recommend Encoder:  
Suitable for Coreless Motor  
Encoder S: AM-EN2211S\*\*\*  
Encoder T: AM-EN2412T\*\*\*

Suitable for Brushless Motor  
Encoder S: AM-EN2211S\*\*\*  
Encoder T: AM-EN3612T\*\*\*

### INPUT GEARBOX DATA

Modulus	0.6		
Press angle	20°		
Teeth number	15	21	27
Max gear hole "A"	6.0	8.0	8.0
Max motor shaft	6.0	8.0	8.0
Motor dimension "D"	11	15	18

### MOTOR DIMENSION



### GEARBOX MOTOR LENGTH "LT"

Gear motor length L <sub>T</sub>	130.8	184.1
Gear box length L <sub>1</sub> *	60.1	72.1
Motor length L <sub>2</sub>	60	100
Encoder length L <sub>3</sub>	10.7	12

\*Note: If combined with AM-CL3570, L1=L+5mm, distance between gear and motor=14.9+5mm.

Download datasheet: <https://assunmotor.com/documents-download>

Visit Our Website and Online Shop at <https://assunmotor.com>    Contact: [info@assunmotor.com](mailto:info@assunmotor.com)