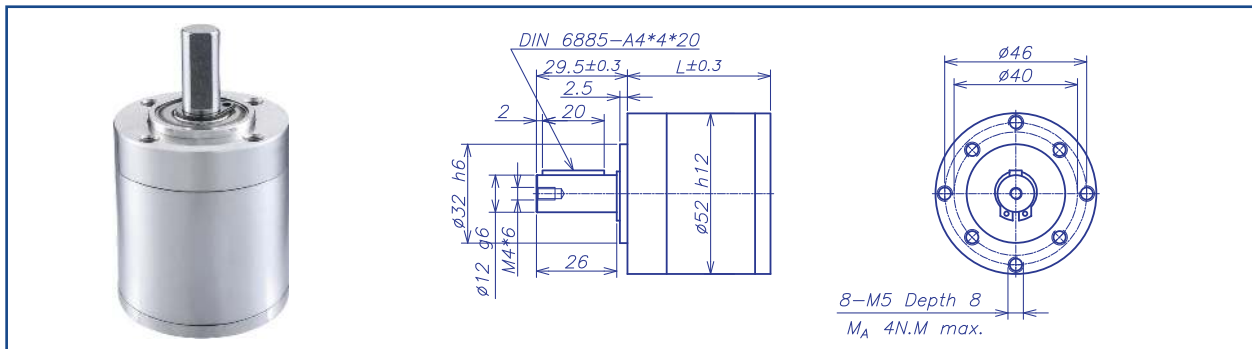


AM-52GP Series

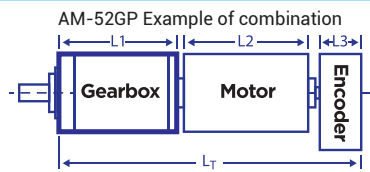


**GEARBOX CHARACTER**

Gear type	Straight teeth	Radial Play (12mm from flange)	max 0.1mm
Output shaft	Stainless steel hardened	Permissible force press fits	max. 500 N
Main gear	Alloy steel hardened	Permissible axial load (dynamic)	max. 200N
Ring gear	Alloy steel hardened	Recommended inut speed	6000RPM
Adapter plate	Aluminium alloy	Operating temperature range	-40°C ~ +100°C
Bearing AT output	Ball bearing	Operating humidity range	10-90%RH
Axial play	0-0.3	Number of stages	1    2    3    4
Directions	CW/CCW	Permissible load (12mm from flange)	420N   630N   900N   900N

**GEARBOX DATA**

Number of stage	1		2		3		4		
Reduction ratio X:1	3.5	4.3	12 15 21	19 26	43 53 66 74 126	81 91 113 156	150 186 230 257 285	319 394 441 546 756	353 488 546 676 936
Reduction ratio absolute	7/2	13/3	49/4 91/6 21/1	169/9 26/1	343/8 637/12 1183/18 126/1	2197/27 91/1 338/3 156/1	2401/16 4459/24 8281/36 1029/4 15379/54	637/2 1183/3 441/1 546/1 756/1	28561/81 4394/9 546/1 676/1 936/1
Motor shaft max. diametre (mm)	10	8	10	8	10	8	10	8	
Gearbox lenght "L" (mm)	46.3		62.8		79.3		95.8		
Max. continuous torque (N.m)	4		15		30		30		
Max. intermitten torque (N.m)	6		22.5		45		45		
Average backlash no load	0.6°		0.7°		0.7°		0.7°		
Gearbox efficiency	90%		81%		73%		65%		
Max. mass inertia (g.cm <sup>2</sup> )	19.99		20.98		21.06		21.07		
Gearbox weight approx (g)	510		720		930		1140		
gearbox model	AM-52GPA-X		AM-52GPB-X		AM-52GPC-X		AM-52GPD-X		



Recommend Motor:  
Coreless Motor (w/E)

Brushless Motor (w/E)  
AM-BL4060BF    AM-BD45100AN  
AM-BL45100AN  
AM-BL45100BF

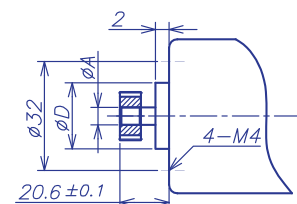
Recommend Encoder:  
Suitable for Coreless Motor  
-

Suitable for Brushless Motor  
Encoder S: AM-EN2211S\*\*\*  
Encoder T: AM-EN3612T\*\*\*

**INPUT GEARBOX DATA**

Modulus	0.7
Press angle	20°
Teeth number	12    18    24
Max gear hole "A"	-    8.0    10
Max motor shaft	-    8.0    10
Motor dimension "D"	-    15    19

**MOTOR DIMENSION**



**GEARBOX MOTOR LENGTH "LT"**

Gear motor length L <sub>T</sub>	190
Gear box length L <sub>1</sub>	79.3
Motor length L <sub>2</sub>	100
Encoder length L <sub>3</sub>	10.7

Download datasheet: <https://assunmotor.com/documents-download>

Visit Our Website and Online Shop at <https://assunmotor.com>    Contact: [info@assunmotor.com](mailto:info@assunmotor.com)