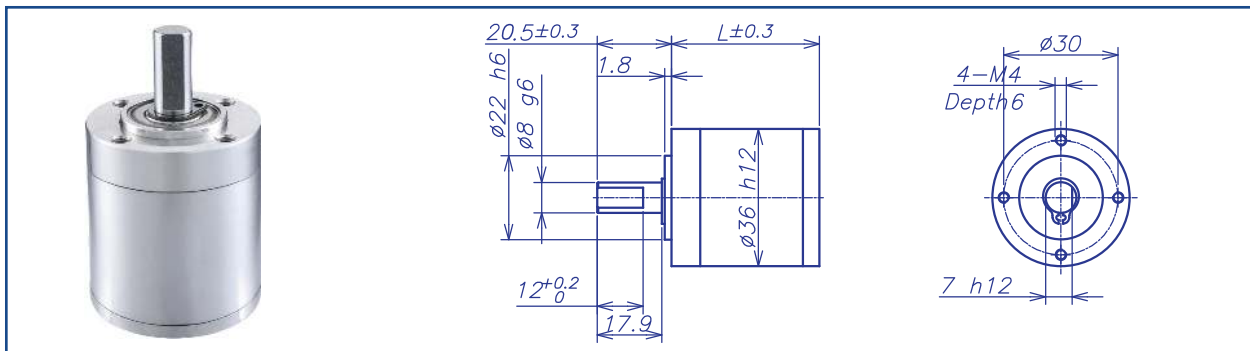


AM-36GP Series

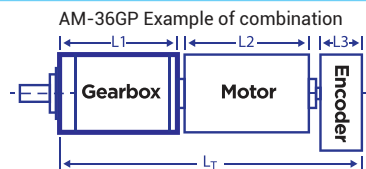


GEARBOX CHARACTER

Gear type	Straight teeth	Radial Play (10mm from flange)	max 0.1mm			
Output shaft	Stainless steel hardened	Permissible force press fits	max. 150 N			
Main gear	Alloy steel hardened	Permissible axial load (dynamic)	max. 150N			
Ring gear	Stainless steel hardened	Recommended inut speed	8000RPM			
Adapter plate	Stainless steel	Operating temperature range	-40°C ~ +100°C			
Bearing AT output	Ball bearing	Operating humidity range	10-90%RH			
Axial play	0-0.3	Number of stages	1	2	3	4
Directions	CW/CCW	Permissible load (14mm from flange)	140N	230N	230N	230N

GEARBOX DATA

Number of stage	1			2		3			4			
	Reduction ratio X:1	3.5	4.3	6.0	12	36	43	81	216	150	353	756
Reduction ratio absolute	7/2	13/3	6/1	49/4	36/1	343/8	2197/27	216/1	2401/16	28561/81		1296/1
				91/6		637/12	91/1		4459/24	1183/3		
				169/9		1183/18	338/3		8281/36	441/1		
				21/1		147/2	126/1		1029/4	4394/9		
				26/1			156/1		15379/54	546/1		
									637/2	676/1		
Motor shaft max. diametre (mm)	6	4	6	4	6	4	6	4	6	6	4	4
Gearbox length "L" (mm)	30.6			39.6		48.6			57.6			
Max. continuous torque (N.m)	1.2			3		5			6			
Max. intermittent torque (N.m)	1.8			4.5		7.5			9			
Average backlash no load	0.7°			0.8°		0.8°			0.8°			
Gearbox efficiency	90%			81%		73%			65%			
Max. mass inertia (g.cm ²)	3			3.17		3.18			3.18			
Gearbox weight approx (g)	210			270		330			360			
gearbox model	AM-36GPA-X			AM-36GPB-X		AM-36GPC-X			AM-36GPD-X			



Recommend Motor:
Coreless Motor (w/E)
AM-CL3570GAN
AM-CL4071GAE
Brushless Motor (w/E)
AM-BL3260AN AM-BD3260AN
AM-BL3270AN AM-BD3270AN
AM-BL3660AN AM-BD3660AN
AM-BL3675BF
AM-BL3690BF

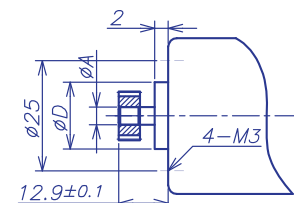
Recommend Encoder:
Suitable for Coreless Motor
Encoder S: AM-EN2211S***
Encoder T: AM-EN2412T***

Suitable for Brushless Motor
Encoder S: AM-EN2211S***
Encoder T: AM-EN2412T***
AM-EN3612T***

INPUT GEARBOX DATA

Modulus	0.5		
Press angle	20°		
Teeth number	12	18	24
Max gear hole "A"	4	6	6
Max motor shaft	4	6	6
Motor dimension "D"	8	11	13.5

MOTOR DIMENSION



GEARBOX MOTOR LENGTH "LT"

Gear motor length L_T	120.3	119.3	159.6
Gear box length L_1	39.6	48.6	57.6
Motor length L_2	70	60	90
Encoder length L_3	10.7	10.7	12

Download datasheet: <https://assunmotor.com/documents-download>

Visit Our Website and Online Shop at <https://assunmotor.com> Contact: info@assunmotor.com