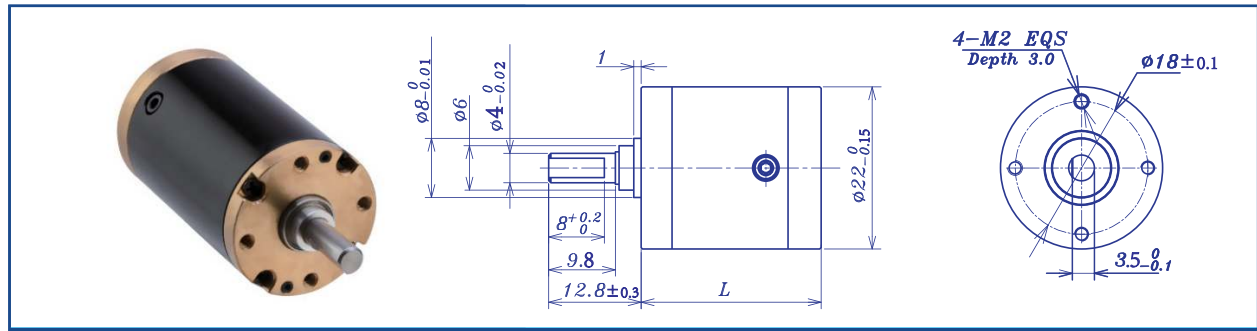


AM-22P Series



GEARBOX CHARACTER			
Gear type	Straight teeth	Average backlash on load	$\leq 2^\circ$
Output shaft	Stainless steel hardened	Radial Play	≤ 0.1
Main gear	Alloy Steel	Permissible axial load	$\leq 40N$
Ring gear	Steel	Permissible force press fits	$\leq 100N$ (5mm from mounting face)
Adapter plate	Copper	Recommended input speed	$\leq 10000RPM$
Bearing AT output	Ball bearing	Operating temperature range	$-20^\circ C \sim +50^\circ C$
Axial play	0-0.3	Operating humidity range	10-90%RH
Directions	CW/CCW		

GEARBOX DATA											
Number of stage	1	2		3			4			5	
Reduction ratio X:1	3.3	11	19	37	62	97	175	370	591	742	1996
	3.8	12	20	41	64	104	198	410	690	1014	2458
	4.4	14	24	47	72	109	231	455	850	1185	3027
	5.4	16	29	53	76	128	270	522		1386	3728
		18		84	158		316	561		1621	4592
Reduction ratio absolute	63/19	3969/361	3249/169	250047/6859	1215/16		21625/1216	6561/16		759375/1024	
	15/4	945/76	81/4	59535/1444	185193/2197		50625/256	5000211/10985		10965375/10816	
	57/13	225/16	1639/65	3375/64	45927/475		192375/832	1240029/2375		41668425/35152	
	27/5	855/52	729/25	14175/304	87723/845		731025/2704	2368521/4225		158340015/114244	
		1701/95		12825/208	2187/20		2777895/8788	59049/100		601692057/371293	
			204687/3211	41553/325		10556001/28561	1121931/625		285012027/142805		
			48735/676	19683/125			531441/625		135005697/54925		
									63950067/21125		
									30292137/8125		
									14348907/3125		
Gearbox length "L" (mm)	22.3	27.3		32.3			37.3			42.6	
Max. continuous torque (N.m)	0.6	0.8		1			1.2			1.2	
Max. intermitten torque (N.m)	0.9	1.2		1.5			1.8			1.8	
Gearbox efficiency	90%	81%		72%			65%			59%	
Moment of inertia range (g.cm ²)	0.5	0.4		0.5			0.4			0.5	
Gearbox weight approx (g)	56	68		82			92			103	
Gearbox model	AM-22PA-X-01	AM-22PB-X-01		AM-22PC-X-01			AM-22PD-X-01			AM-22PE-X-01	

AM-22P Example of combination

INPUT GEARBOX DATA	
Modulus	0.35
Press angle	20°
Teeth number	10 13 16 19
Max gear hole "A"	2.0 3.0
Max motor shaft	2.0 3.0
Motor dimension "D"	6.15 8.0

MOTOR DIMENSION	
Pinion	2.0
Motor dimension "D"	6.15 8.0
Motor shaft	2.0 3.0
Motor hole	2.0 3.0
Motor length	6.15 8.0

GEARBOX MOTOR LENGTH "LT"				
Gear motor length L_T	66.5	80.0	80.3	101
Gearbox length L_1	22.3	27.3	32.3	37.3
Motor length L_2	32.2	42	40	53
Encoder length L_3	12	10.7	12	10.7

Recommend Motor:	Recommend Encoder:
	Suitable for Coreless Motor Encoder S: AM-EN2211S***
Coreless Motor: (w/E): AM-CL2232MAN AM-CL2232GAN AM-CL2242MAN AM-CL2242GAN	Suitable for Brushless Motor Encoder S: AM-EN1611S***
	Encoder T: AM-EN1612T***
Brushless Motor (w/E): AM-BL2040AN AM-BL2453AN	

Download datasheet: <https://assunmotor.com/documents-download>

Visit Our Website and Online Shop at <https://assunmotor.com> Contact: info@assunmotor.com