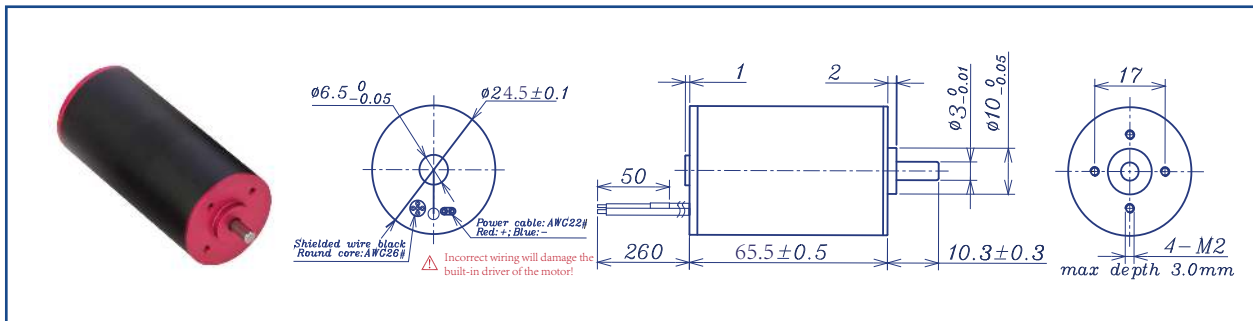


AM-PI2466AN SERIES (Built-In Position Control)



	Brushless Servo Motor	Ball Bearing	
Motor Model		2410	1209
Nominal voltage	V	24	12
Voltage range	V	21.5~26.5	10.5~13.5
No-load holding current	mA	45	45
Static holding torque	mN_m	20.0	22.0
Static holding current	mA	250	490
Rated torque	mN_m	20.0	22.0
Rated speed	rpm	10000	9000
Pulse number / circle	Pulse / circle	256	256
Overload torque	mN.m	40.0	40.0
Maximum overload time	second	3	3
Moment of inertia	gcm ²	3.45	3.45
Weight	g	142	142

Additional Information			
Note: Excessive shock loads and periodic oscillations can cause the motor to run unsteadily. Stabilize the system by improving the load.			
Motor thermal resistance:	10.5 K/W	Motor thermal time constant:	768 S
Axial (dynamic):	2.5 N	Radial (5mm from head face):	16.0 N
Press-fit force (static):	50 N	L: Max allowable screw depth into flange:	3.0 mm
Maximum radial runout (5mm from the thread surface):	≤0.02 mm	Axial play:	0 (<4.0N)
Maximum winding temperature	85°C	Ambient temperature range:	-30 to 65 °C

Part Information					
Control function description		<p>Wiring diagram</p>	<p>Recommended pulse control curve</p>		
Input level description	VIL max 1.2V ; VIH min (Vcc-2.0)V				
Pulse input (Red)	Falling edge is valid				
Steering input (White)	High CW Low CCW				
Enable input (Yellow)	Low Voltage Enable				
Feedback Pulse (Green)	32 pulses / rev				
Input GND (black)	Universal input port				
Total Length: LT=L1+L2+L3					
L1:24GP	L1:28GP	L2 :PI2052	L3		
22.2	25.9	65.5			
27.4	33.1				
32.6	40.3				
<p>AM-PI2466AN Combination Scheme</p> <p>Recommended Gearbox: AM-24GP AM-28GP</p> <p>For more combination specs, visit Assun Motor website.</p>					
<p>Note: The customer can select the gearbox to match the motor. It is recommended to weld motor shaft gears, some of which are listed here for reference.</p>					

Download datasheet: <https://assunmotor.com/documents-download>

Visit Our Website and Online Shop at <https://assunmotor.com> Contact: info@assunmotor.com