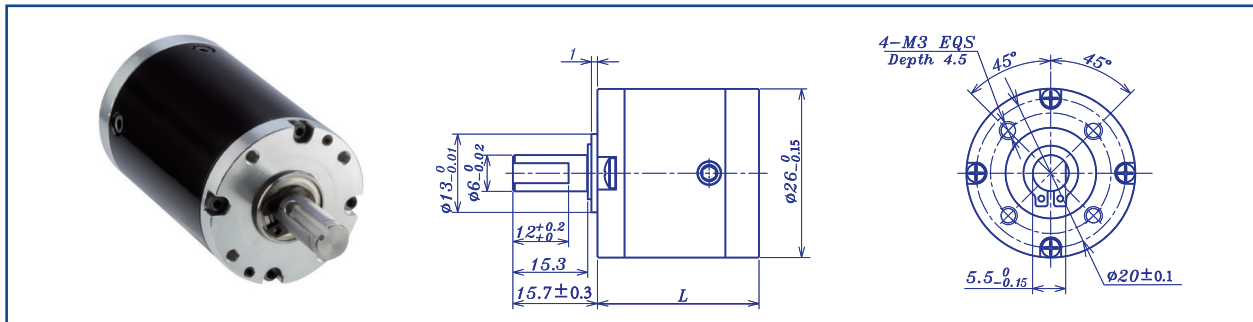


AM-26P Series

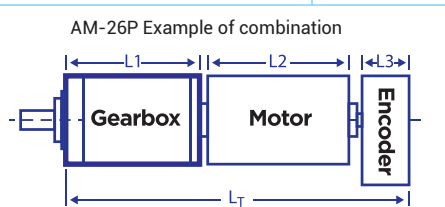


GEARBOX CHARACTER

Gear type	Straight teeth	Average backlash on load	$\leq 2^\circ$
Output shaft	Stainless steel hardened	Radial Play	≤ 0.1
Main gear	Alloy Steel	Permissible axial load	$\leq 80N$
Ring gear	Steel	Permissible force press fits	$\leq 150N$ (5mm from mounting face)
Adapter plate	Alluminium alloy	Recommended input speed	$\leq 8000RPM$
Bearing AT output	Ball bearing	Operating temperature range	$-20^\circ C \sim +100^\circ C$
Axial play	0-0.3	Operating humidity range	10-90%RH
Directions	CW/CCW		

GEARBOX DATA

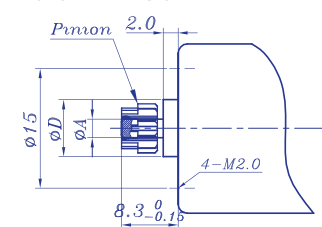
Number of stage	1	2			3			4		
Reduction ratio X:1	3.4	12	18	28	40	74	129	296	534	1016
	3.8	13	19	29	45	85	152	327	637	1136
	4.4	15	20	35	50	95	184	375	760	1304
	5.3	17	23	44	56	106	233	405	860	1556
	6.7		26		65	121	296	447	965	1975
Reduction ratio absolute	24/7	576/49	18/1	441/16	13824/343	189/2		85169/288	194481/256	
	23/6	92/7	484/25	88/3	2208/49	3381/32		122452/375	7744/9	
	22/5	529/36	161/8	35/1	1053/21	4851/40		234256/625	15435/16	
	21/4	253/15	231/10	400/9	12167/2	1936/15		25921/64	64000/63	
	20/3		230/9		5819/90	3200/21		53361/100	92000/81	
					5566/75	735/4		101871/160	35200/27	
					10648/125	700/3			14000/9	
						8000/27			160000/81	
Gearbox length "L" (mm)	28.2	34.5			40.8			47.1		
Max. continuous torque (N.m)	1.3	1.7			2.1			2.6		
Max. intermitten torque (N.m)	1.9	2.6			3.2			3.8		
Gearbox efficiency	90%	81%			72%			65%		
Moment of inertia range (g.cm ²)	1	0.9			0.6			0.6		
Gearbox weight approx (g)	65	85			105			120		
Gearbox model	AM-26PA-X-01	AM-26PB-X-01			AM-26PC-X-01			AM-26PD-X-01		



INPUT GEARBOX DATA

Modulus	0.4				
Press angle	20°				
Teeth number	9	12	15	18	21
Max gear hole "A"	1.5	3.0	4.0		
Max motor shaft	1.5	3.0	4.0		
Motor dimension "D"	10.0				

MOTOR DIMENSION



Recommend Motor:

Coreless Motor (w/E):
AM-CL2532MAN
AM-CL2545MAN

Brushless Motor (w/E)
AM-BL2453AN

Recommend Encoder:

Suitable for Coreless Motor
Encoder S: AM-EN1611S***

Suitable for Brushless Motor

Encoder S: AM-EN1611S***

Encoder T: AM-EN2412T***

GEARBOX MOTOR LENGTH "LT"

Gear motor length L_T	72.2	90.2
Gearbox length L_1	28.2	34.5
Motor length L_2	32	45
Encoder length L_3	12	10.7

Download datasheet: <https://assunmotor.com/documents-download>

Visit Our Website and Online Shop at <https://assunmotor.com> Contact: info@assunmotor.com