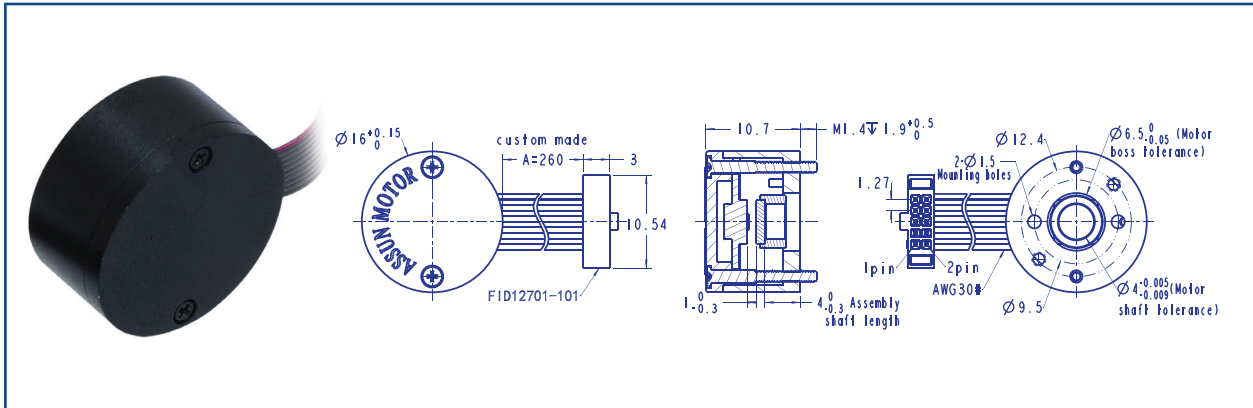


AM-EN1611S103(BL) SERIES



ELECTROMAGNETIC ENCODER

1) Parameters

Parameters/Models	AM-EN1611 S103-0032	AM-EN1611 S103-0064	AM-EN1611 S103-0128	AM-EN1611 S103-0256	AM-EN1611 S103-0512	AM-EN1611 S103-1024
Diameter	16	16	16	16	16	16
PPR/TURN	32	64	128	256	512	1024
Max Channels	3	3	3	3	3	3
Max Working Freq.(KHz)	20	40	100	180	360	512
Direction Signal	no	no	no	no	no	no
Drive (Differential Output)	yes	yes	yes	yes	yes	yes

2) Information

Technical Parameter	Suitable for motor size			Pin definition		Connection Diagram (CW)
Power Vcc	5V±5%	Suitable for shaft diameter	2.0; 3.0; 4.0	1. NC	2. Vcc	
Vcc=5.0V Signal	ISL32179	Suitable for shaft length	3.7~4.0	3. GND	4. NC	
Operating Temperature	-40~125°C	Suitable for boss diameter	6.45~6.5	5. A-	6. A+	
Inertia (max)	0.015 g.cm ²	Suitable for boss thickness	Maximum 1.0	7. B-	8. B+	
Output Current, each channel	1.5mA(max)	Code wheel spacing	0.7~1.0	9. Z-	10. Z+	
Weight	6.5 g	Other fixed size	Drawing			

3) Recommend Combination

Total Length of Geared Motor System :L _T =L ₁ +L ₂ +(L ₃ =10.7mm)					
L1:16GP	L1:19GP	L2:BL16	L1: 19GP	L1: 24GP	L2:BL20
15.9	18.8	40.0	18.8	24	40.0
23.3	23.6		23.6	34.3	
27	28.4		28.4	42.8	
L1:24GP	L1:28GP	L2:BL24	L1: 28GP	L1: 32GP	L2:BL28
24	26.1	53.0	25.9	27.4	45.0
34.3	33.3		33.1	35.9	
42.8	40.5		40.3	44.4	

AM-EN1611S* Combination Scheme**

Recommended Gearbox:
Planetary Gearbox:
AM-16GP AM-28GP
AM-19GP AM-32GP
AM-24GP

Recommended Motor:
Brushless Motor:
AM-BL16** AM-BL20**
AM-BL/D24**
AM-BL/D28**

For more combination specs, visit Assun Motor website.

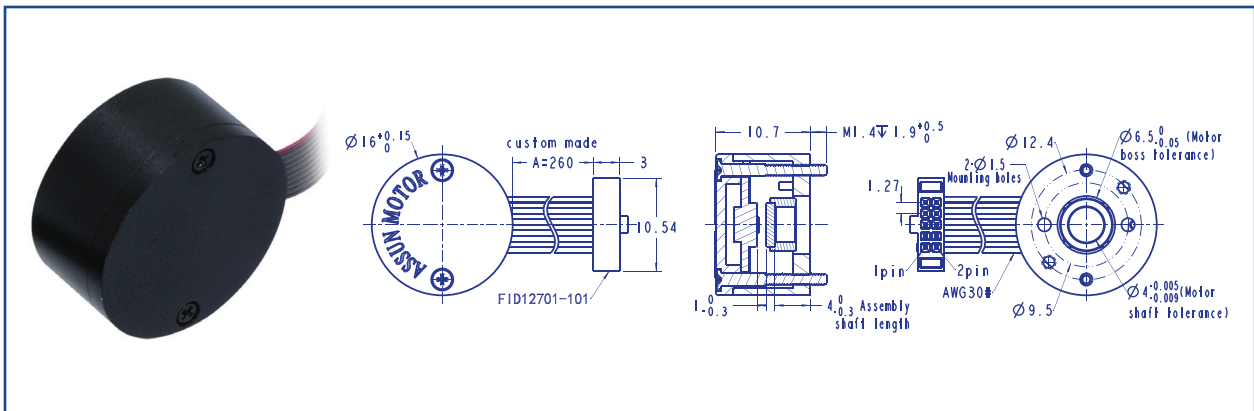
Remarks: Clients can choose gearbox and motor to match with this encoder. Some combinations are listed here for reference.

Please tell us if there is vibration in application. Client should pay attention to the integrity and reliability of the transmitted signal.

Download datasheet: <https://assunmotor.com/documents-download>

Visit Our Website and Online Shop at <https://assunmotor.com> Contact: info@assunmotor.com

AM-EN1611S103(CL) SERIES



ELECTROMAGNETIC ENCODER

1) Parameters

Parameters/Models	AM-EN1611 S103-0032	AM-EN1611 S103-0064	AM-EN1611 S103-0128	AM-EN1611 S103-0256	AM-EN1611 S103-0512	AM-EN1611 S103-1024
Diameter	16	16	16	16	16	16
PPR/TURN	32	64	128	256	512	1024
Max Channels	3	3	3	3	3	3
Max Working Freq.(KHz)	20	40	100	180	360	512
Direction Signal	no	no	no	no	no	no
Drive (Differential Output)	yes	yes	yes	yes	yes	yes

2) Information

Technical Parameter	Suitable for motor size		Pin definition		Connection Diagram (CW)	
Power Vcc	5V±5%	Suitable for shaft diameter	1.5; 2.0	1. NC	2. Vcc	
Vcc=5.0V Signal	ISL32179	Suitable for shaft length	3.7~4.0	3. GND	4. NC	
Operating Temperature	-40~125°C	Suitable for boss diameter	6.45~6.5	5. A-	6. A+	
Inertia (max)	0.015 g.cm ²	Suitable for boss thickness	Maximum 1.0	7. B-	8. B+	
Output Current, each channel	1.5mA(max)	Code wheel spacing	0.7~1.0	9. Z-	10. Z+	
Weight	6.5 g	Other fixed size	Drawing			

3) Recommend Combination

Total Length of Geared Motor System :L _T =L ₁ +L ₂ +(L ₃ =10.7mm)					
L1:16GP	L1:19GP	L2:CL16	L1: 24GP	L1: 28GP	L2:CL25
15.9	18.8	33.0	24	26.1	32.0
23.3	23.6	43.0	34.3	33.3	45.3
27	28.4		42.8	40.5	
L1:28GP	L1:32GP	L2:CL28			
26.1	27.4	31.0			
33.3	35.9	45.0			
40.5	44.4				

AM-EN1611S* Combination Scheme**

Recommended Gearbox:
Planetary Gearbox:
AM-16GP AM-28GP
AM-19GP AM-32GP
AM-24GP

Recommended Motor:
Coreless Motor:
AM-CL16**
AM-CL25**
AM-CL28**

For more combination specs, visit Assun Motor website.

Remarks: Clients can choose gearbox and motor to match with this encoder. Some combinations are listed here for reference.

Please tell us if there is vibration in application. Client should pay attention to the integrity and reliability of the transmitted signal.

Download datasheet: <https://assunmotor.com/documents-download>

Visit Our Website and Online Shop at <https://assunmotor.com> Contact: info@assunmotor.com