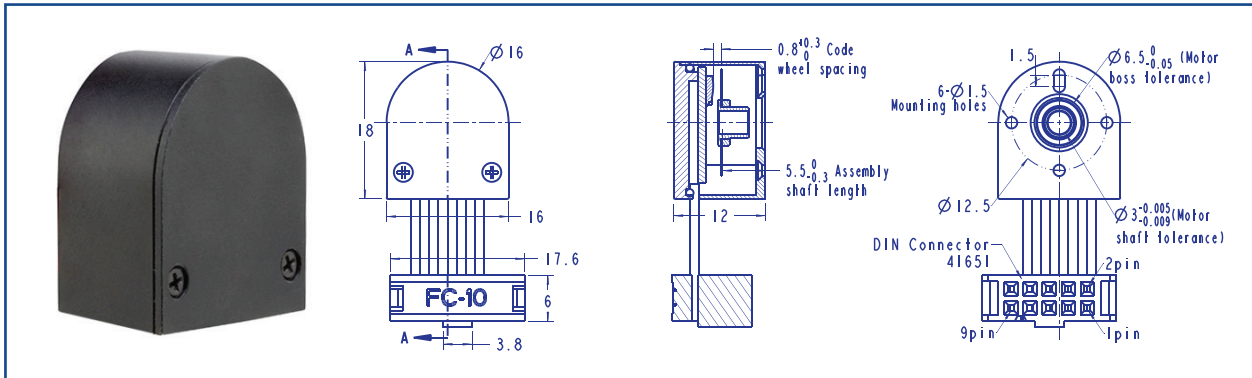


AM-EN1612T103 SERIES



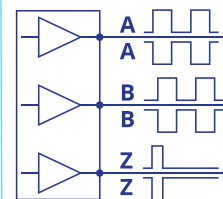
OPTICAL ENCODER

1) Parameters

Parameters/Models	AM-EN1612 T103-360	AM-EN1612 T103-720	AM-EN1612 T103-1440			
Diameter	16	16	16			
PPR/TURN	360	720	1440			
Max Channels	3	3	3			
Max Working Freq.(KHz)	55~220	55~220	55~220			
Direction Signal	no	no	no			
Drive (Differential Output)	yes	yes	yes			

2) Information

Technical Parameter		Suitable for motor size		Pin definition	Connection Diagram (CW)
Power Vcc	5V±5%	Suitable for shaft diameter	2.0; 3.0	1. NC	2.Vcc
Vcc=5.0V Signal	ISL32179	Suitable for shaft length	5.2~5.5	3. GND	4. NC
Operating Temperature	-25~80 °C	Suitable for boss diameter	6.45~6.5	5. A-	6. A+
Inertia (max)	0.06 g.cm ²	Suitable for boss thickness	Maximum 1.0	7. B-	8. B+
Output Current, each channel	20mA(max)	Code wheel spacing	0.8~1.1	9. Z-	10. Z+
Weight	11.0 g	Other fixed size	Drawing		



3) Recommend Combination

Total Length of Geared Motor System :L _T =L1+L2+(L3=12.0mm)					
L1:19GP	L1:24GP	L2:BL20	L1:16GP	L1:19GP	L2:BL16
18.8	24	40.0	15.9	18.8	40.0
23.6	34.3		23.3	23.6	
28.4	42.8		27.0	28.4	

AM-EN1612T* Combination Scheme**

Recommended Gearbox:
Planetary Gearbox:
AM-16GP
AM-19GP
AM-24GP

Recommended Motor:
BRUSH LESS Motor:
AM-BL16**
AM-BL20**

For more combination specs, visit Assun Motor website.

Remarks: Clients can choose gearbox and motor to match with this encoder. Some combinations are listed here for reference.

ENCODER

Please tell us if there is vibration in application. Client should pay attention to the integrity and reliability of the transmitted signal.

Download datasheet: <https://assunmotor.com/documents-download>

Visit Our Website and Online Shop at <https://assunmotor.com> Contact: info@assunmotor.com