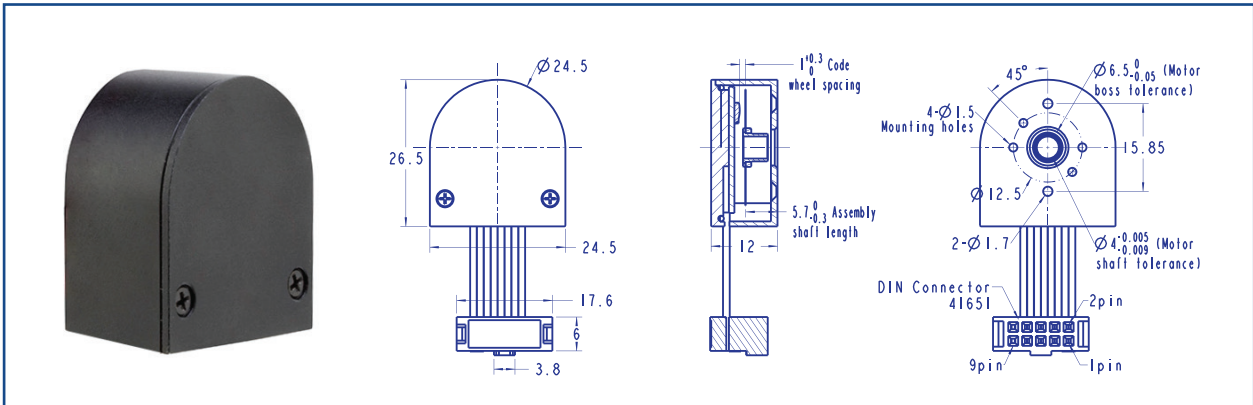


AM-EN2412T103 SERIES



OPTICAL ENCODER

1) Parameters

Parameters/Models	AM-EN2412 T103-500	AM-EN2412 T103-512	AM-EN2412 T103-1000	AM-EN2412 T103-1024	AM-EN2412 T103-2000	AM-EN2412 T103-2048
Diameter	24.5	24.5	24.5	24.5	24.5	24.5
PPR/TURN	500	512	1000	1024	2000	2048
Max Channels	3	3	3	3	3	3
Max Working Freq.(KHz)	55~220	55~220	55~220	55~220	55~220	55~220
Direction Signal	no	no	no	no	no	no
Drive (Differential Output)	yes	yes	yes	yes	yes	yes

2) Information

Technical Parameter		Suitable for motor size		Pin definition	Connection Diagram (CW)
Power Vcc	5V±5%	Suitable for shaft diameter	3.0; 4.0	1. NC	2.Vcc
Vcc=5.0V Signal	ISL 32179	Suitable for shaft length	5.2~5.5	3. GND	4. NC
Operating Temperature	-25~80 °C	Suitable for boss diameter	6.45~6.5	5. A-	6. A+
Inertia (max)	0.23 g.cm <sup>2</sup>	Suitable for boss thickness	Maximum 1.0	7. B-	8. B+
Output Current, each channel	20mA(max)	Code wheel spacing	0.8~1.1	9. Z-	10. Z+
Weight	17.0 g	Other fixed size	Drawing		

3) Recommend Combination

Total Length of Geared Motor System :L <sub>T</sub> =L <sub>1</sub> +L <sub>2</sub> +(L <sub>3</sub> =12.0mm)					
L1:24GP	L1:28GP	L2:BL24	L1:28GP	L1:32GP	L2:BL28
24	26.1	53.0	26.1	27.4	45.0
34.3	33.3		33.3	35.9	
42.8	40.5		40.5	44.4	
L1:32GP	L1:36GP	L2:BL32			
27.4	39.6	60.0			
35.9	48.6	70.0			
44.4	57.6				

**AM-EN2412T\*\*\* Combination Scheme**

**Recommended Gearbox:**  
Planetary Gearbox:  
AM-24GP  
AM-28GP  
AM-32GP  
AM-36GP

**Recommended Motor:**  
BRUSH LESS Motor:  
AM-BL/D24\*\*  
AM-BL/D28\*\*  
AM-BL/D32\*\*

For more combination specs, visit Assun Motor website.

Remarks: Clients can choose gearbox and motor to match with this encoder. Some combinations are listed here for reference.

ENCODER

Please tell us if there is vibration in application. Client should pay attention to the integrity and reliability of the transmitted signal.

Download datasheet: <https://assunmotor.com/documents-download>

Visit Our Website and Online Shop at <https://assunmotor.com> Contact: [info@assunmotor.com](mailto:info@assunmotor.com)