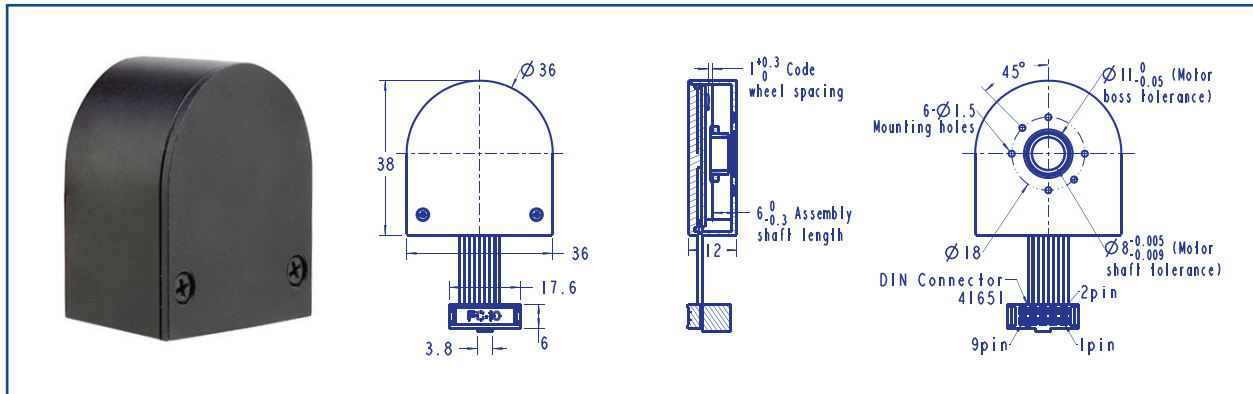


## AM-EN3612T003 SERIES



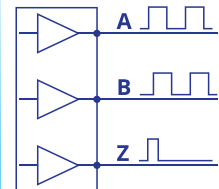
### OPTICAL ENCODER

#### 1) Parameters

| Parameters/Models           | AM-EN3612 T003-1000 | AM-EN3612 T003-1024 | AM-EN3612 T003-2000 | AM-EN3612 T003-2048 | AM-EN3612 T003-4000 | AM-EN3612 T003-4096 |
|-----------------------------|---------------------|---------------------|---------------------|---------------------|---------------------|---------------------|
| Diameter                    | 36.0                | 36.0                | 36.0                | 36.0                | 36.0                | 36.0                |
| PPR/TURN                    | 1000                | 1024                | 2000                | 2048                | 4000                | 4096                |
| Max Channels                | 3                   | 3                   | 3                   | 3                   | 3                   | 3                   |
| Max Working Freq.(KHz)      | 55~220              | 55~220              | 55~220              | 55~220              | 55~220              | 55~220              |
| Direction Signal            | no                  | no                  | no                  | no                  | no                  | no                  |
| Drive (Differential Output) | no                  | no                  | no                  | no                  | no                  | no                  |

#### 2) Information

| Technical Parameter          |                        | Suitable for motor size     |             | Pin definition | Connection Diagram (CW) |
|------------------------------|------------------------|-----------------------------|-------------|----------------|-------------------------|
| Power Vcc                    | 5V±5%                  | Suitable for shaft diameter | 5.0; 8.0    | 1. NC          | 2.Vcc                   |
| Vcc=5.0V Signal              | TTL compatible         | Suitable for shaft length   | 5.2~5.5     | 3. A           | 4. B                    |
| Operating Temperature        | -25~80 °C              | Suitable for boss diameter  | 10.95~11.0  | 5. GND         | 6. NC                   |
| Inertia (max)                | 1.18 g.cm <sup>2</sup> | Suitable for boss thickness | Maximum 1.0 | 7. Z           | 8. NC                   |
| Output Current, each channel | 1.5mA(max)             | Code wheel spacing          | 0.8~1.1     | 9. NC          | 10. NC                  |
| Weight                       | 29.0 g                 | Other fixed size            | Drawing     |                |                         |



#### 3) Recommend Combination

| Total Length of Geared Motor System : L <sub>T</sub> =L <sub>1</sub> +L <sub>2</sub> +(L <sub>3</sub> =12.0mm) |                |                |                |                |                 |
|--|----------------|----------------|----------------|----------------|-----------------|
| <b>L1:45GP</b>   | <b>L1:52GP</b> | <b>L2:BL45</b> | <b>L1:36GP</b> | <b>L1:40GP</b> | <b>L2: BL36</b> |
| 48.1   | 79.3           | 100.0          | 39.6           | 46.8           | 60.5            |
| 60.1   |                |                | 48.6           | 58.3           |                 |
| 72.1   |                |                | 57.6           | 69.8           |                 |
| <b>L1:40GP</b>   | <b>L1:45GP</b> | <b>L2:BL40</b> | <b>L1:52GP</b> |                | <b>L2: BL65</b> |
| 46.8   | 48.1           | 60.0           | 79.3           |                | 108.5           |
| 58.3   | 60.1           |                |                |                |                 |
| 69.8   | 72.1           |                |                |                |                 |

**AM-EN3612\*\*\* Combination Scheme**

**Recommended Gearbox:**  
Planetary Gearbox:  
AM-36GP  
AM-40GP  
AM-45GP  
AM-52GP

**Recommended Motor:**  
Brushless Motor:  
AM-BL/D36\*\*  
AM-BL/D45\*\*  
AM-BL40\*\*

For more combination specs, visit Assun Motor website.

Remarks: Clients can choose gearbox and motor to match with this encoder. Some combinations are listed here for reference.

Please tell us if there is vibration in application. Client should pay attention to the integrity and reliability of the transmitted signal.

Download datasheet: <https://assunmotor.com/documents-download>

Visit Our Website and Online Shop at <https://assunmotor.com> Contact: [info@assunmotor.com](mailto:info@assunmotor.com)