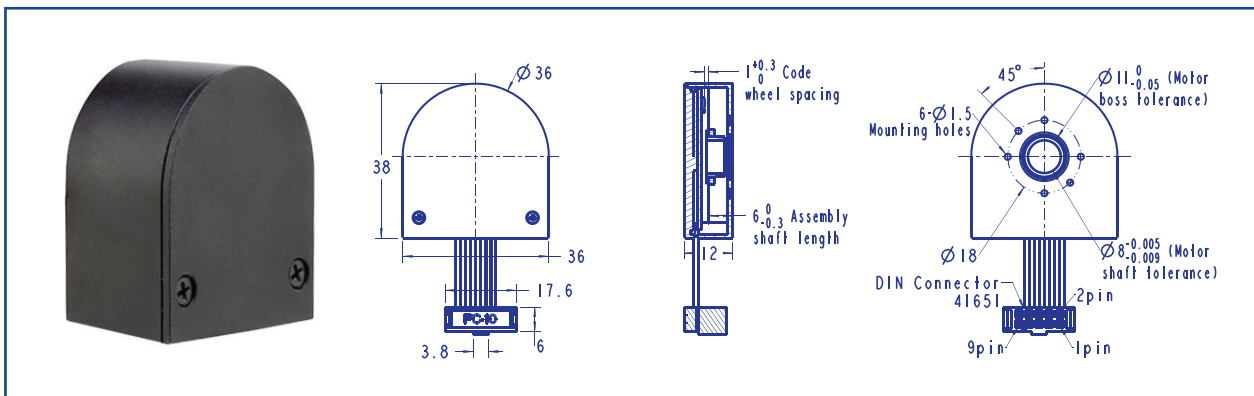


AM-EN3612T103 SERIES



OPTICAL ENCODER

1) Parameters

Parameters/Models	AM-EN3612 T103-1000	AM-EN3612 T103-1024	AM-EN3612 T103-2000	AM-EN3612 T103-2048	AM-EN3612 T103-4000	AM-EN3612 T103-4096
Diameter	36.0	36.0	36.0	36.0	36.0	36.0
PPR/TURN	1000	1024	2000	2048	4000	4096
Max Channels	3	3	3	3	3	3
Max Working Freq.(KHz)	55~220	55~220	55~220	55~220	55~220	55~220
Direction Signal	no	no	no	no	no	no
Drive (Differential Output)	yes	yes	yes	yes	yes	yes

2) Information

Technical Parameter		Suitable for motor size		Pin definition	Connection Diagram (CW)
Power Vcc	5V±5%	Suitable for shaft diameter	5.0; 8.0	1. NC	2.Vcc
Vcc=5.0V Signal	ISL 32179	Suitable for shaft length	5.2~5.5	3. GND	4. NC
Operating Temperature	-25~80 °C	Suitable for boss diameter	10.95~11.0	5. A-	6. A+
Inertia (max)	1.18 g.cm ²	Suitable for boss thickness	Maximum 1.0	7. B-	8. B+
Output Current, each channel	20mA(max)	Code wheel spacing	0.8~1.1	9. Z-	10. Z+
Weight	29.0 g	Other fixed size	Drawing		

3) Recommend Combination

Total Length of Geared Motor System :L _T =L1+L2+(L3=12.0mm)					
L1:45GP	L1:52GP	L2:BL45	L1:36GP	L1: 40GP	L2: BL36
48.1	79.3	100.0	39.6	46.8	60.5
60.1			48.6	58.3	
72.1			57.6	69.8	
L1:40GP	L1:45GP	L2:BL40	L1:52GP		L2: BL65
46.8	48.1	60.0	79.3		108.5
58.3	60.1				140.0
69.8	72.1				

AM-EN3612T* Combination Scheme**

Recommended Gearbox:
Planetary Gearbox:
AM-36GP
AM-40GP
AM-45GP
AM-52GP

Recommended Motor:
Brushless Motor:
AM-BL/D36**
AM-BL/D45**
AM-BL40**

For more combination specs, visit Assun Motor website.

Remarks: Clients can choose gearbox and motor to match with this encoder. Some combinations are listed here for reference.

ENCODER

Please tell us if there is vibration in application. Client should pay attention to the integrity and reliability of the transmitted signal.

Download datasheet: <https://assunmotor.com/documents-download>

Visit Our Website and Online Shop at <https://assunmotor.com> Contact: info@assunmotor.com