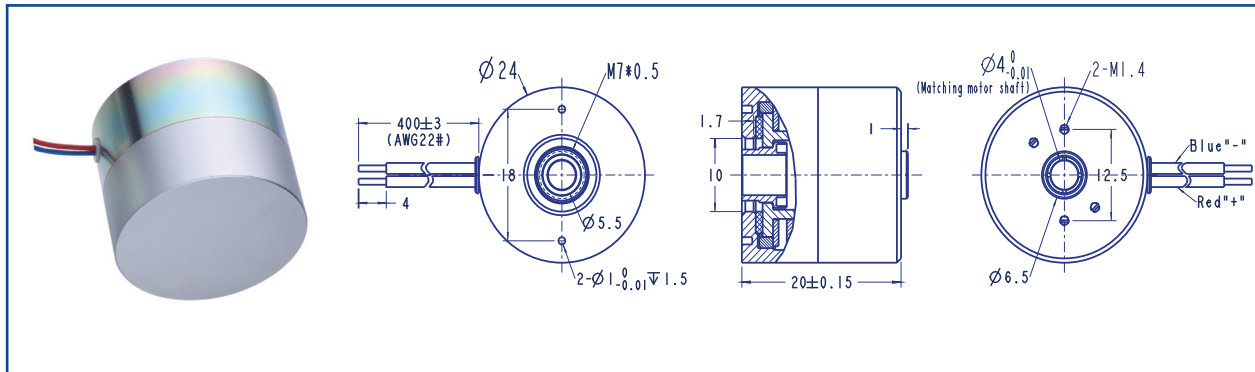


## AM-BK2420GE Series



### ELECTROMAGNETIC BRAKE

1) Parameters							
Parameters/Models	Static friction torque	Rated Voltage	Power	Temperature Rating	Maximum Speed	Moment of inertia	Weight
AM-BK2420GE-2401	0.1 N.M	24 V	4.5 W	120 °C	10000 rpm	18.0 g.cm <sup>2</sup>	62.0 g
Parameters/Models	Life time	Thermal Resistance	Thermal time Constant	Coil Inductance	Electrical Time Constant	Operating Environment Temperature	
AM-BK2420GE-2401	100000 Times	30.0 K/W	830 s	86.3 mH	0.7 ms	-25~55 °C (Customizable)	

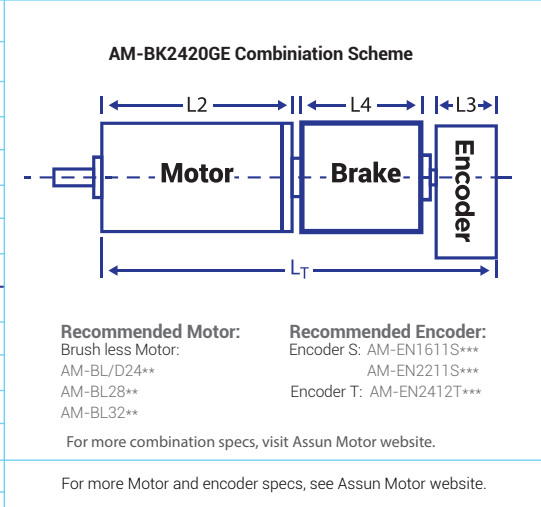
2) Special features		3) Applications	
1. Fixed accuracy, no backlash	2. Small size and high torque	1. Robotic brake	2. Z-axis brake
3. Low noise, high speed	4. Fast response and long life	3. Servo motor static braking	4. General purpose motor

- 4) Precautions**
- Avoid contact with oil or dust, these factors will reduce the torque of the product;
  - Please connect with the product with the correct voltage and polarity to avoid damage or abnormal work;
  - The initial torque may not reach the rated torque for the first time. Please rotate 50 to 60 times at 40 to 60 rpm in the braking state;
  - This product cannot be used as a high-speed dynamic brake.

**5) Recommended Combination**

Total Length of Geared Motor System:  $L_T=L_2+L_3+L_4(=20\text{mm})$

L2:BL24	L3:EN16S	L3:EN24T	L2:BL28	L3:EN16S	L3:EN24T
53.0	10.7	12.0	45.0	10.7	12.0
L2:BL32	L3:EN22S	L3:EN24T			
60.0	10.7	12.0			
70.0					



Please tell us if there is vibration in application. Client should pay attention to the integrity and reliability of the transmitted signal.

Download datasheet: <https://assunmotor.com/documents-download>

Visit Our Website and Online Shop at <https://assunmotor.com> Contact: [info@assunmotor.com](mailto:info@assunmotor.com)