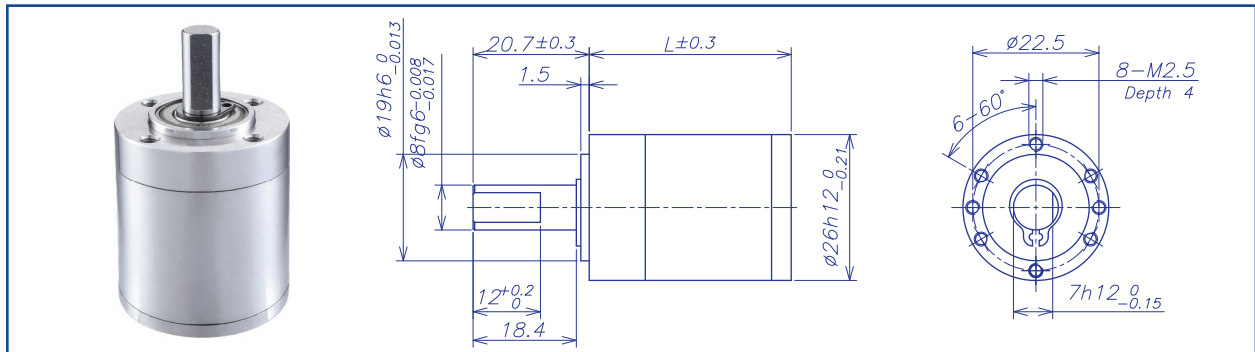


AM-26 HP Series

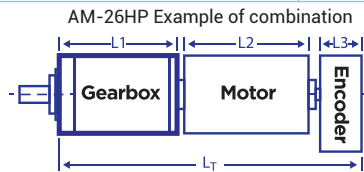


GEARBOX CHARACTER

Gear type	Straight teeth	Radial Play (10mm from flange)	max 0.1mm
Output shaft	Stainless steel hardened	Permissible force press fits	max. 150 N
Main gear	Alloy steel hardened	Permissible axial load (dynamic)	max. 110N
Ring gear	Stainless steel hardened	Recommended input speed	10000RPM
Adapter plate	Stainless steel	Operating temperature range	-40°C ~ +100°C
Bearing AT output	Ball bearing	Operating humidity range	10-90%RH
Axial play	0-0.3	Number of stages	1 2 3 4
Directions	CW/CCW	Permissible load (10mm from flange)	150N 170N 170N 170N

GEARBOX DATA

Number of stage	1			2		3			4		
Reduction ratio X:1	3.7	4.3	6.0	13	36	49	113	216	181	488	792
				16		58	132		214	572	936
				19		69	156		252	676	1296
				22		81			298		
				26		95			353		
									413		
Reduction ratio absolute	11/3	13/3	6/1	121/9	36/1	1331/27	338/3	216/1	14641/81	4394/9	792/1
				143/9		1573/27	132/1		17303/81	572/1	936/1
				169/9		1859/27	156/1		20449/81	676/1	1296/1
				22/1		2197/27	216/1		24167/81		
				26/1		286/3			28561/81		
									3718/9		
Motor shaft max. diameter (mm)	4	2		4	2		4	2	4		2
Gearbox length "L" (mm)	25.7			36		44.5			53		
Max. continuous torque (N.m)	1			3		5			6		
Max. intermittent torque (N.m)	1.5			4.5		7.5			9		
Average backlash no load	1.2°			1.4°		1.5°			1.5°		
Gearbox efficiency	90%			81%		73%			65%		
Max. mass inertia (g.cm ²)	0.63			0.58		0.58			0.58		
Gearbox weight approx (g)	110			140		170			200		
gearbox model	AM-26HPA-X			AM-26HPB-X		AM-26HPC-X			AM-26HPD-X		



Recommend Motor:
Coreless Motor (w/E) Brushless Motor (w/E)
AM-CL25*** AM-BL20***
AM-CL26*** AM-BL24***
AM-CL28*** AM-BL28***
 AM-BD28***

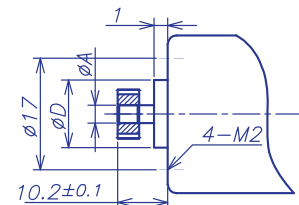
Recommend Encoder:
Suitable for Coreless Motor
Encoder S: AM-EN2211S***

Suitable for Brushless Motor
Encoder S: AM-EN2211S***
Encoder T: AM-EN2412T***

INPUT GEARBOX DATA

Modulus	0.5
Press angle	20°
Teeth number	8 12 15
Max gear hole "A"	2.5 4 4
Max motor shaft	2.5 4 4
Motor dimension "D"	6 8 8.5

MOTOR DIMENSION



GEARBOX MOTOR LENGTH "LT"

Gear motor length L_T	88.7	112.2	110
Gear box length L_1	36	44.5	53
Motor length L_2	42	57	45
Encoder length L_3	10.7	10.7	12

Download datasheet: <https://assunmotor.com/documents-download>

Visit Our Website and Online Shop at <https://assunmotor.com> Contact: info@assunmotor.com