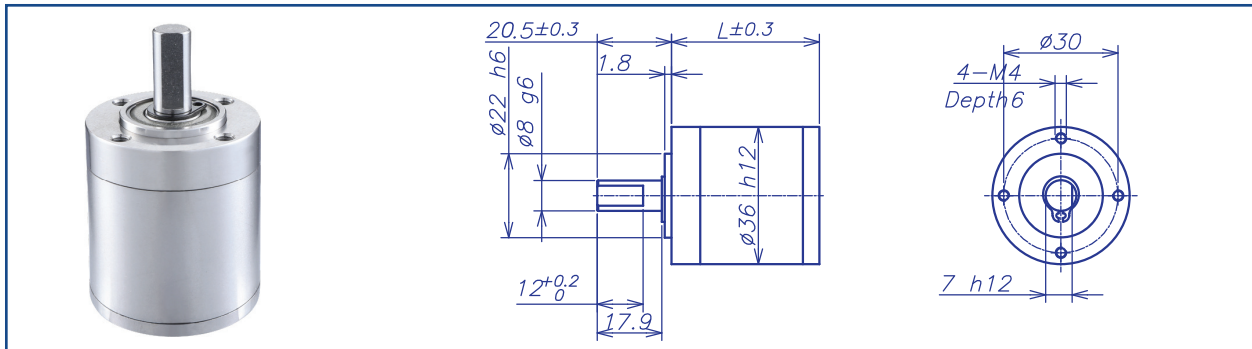


AM-36HP Series

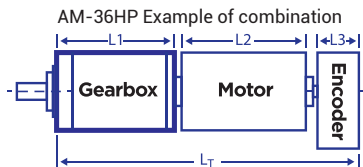


GEARBOX CHARACTER

| | | | |
|-------------------|--------------------------|-------------------------------------|---------------------------|
| Gear type | Straight teeth | Radial Play (10mm from flange) | max 0.1mm |
| Output shaft | Stainless steel hardened | Permissible force press fits | max. 150 N |
| Main gear | Alloy steel hardened | Permissible axial load (dynamic) | max. 150N |
| Ring gear | Stainless steel hardened | Recommended inut speed | 10000RPM |
| Adapter plate | Stainless steel | Operating temperature range | -40°C ~ +100°C |
| Bearing AT output | Ball bearing | Operating humidity range | 10-90%RH |
| Axial play | 0-0.3 | Number of stages | 1 2 3 4 |
| Directions | CW/CCW | Permissible load (14mm from flange) | 220N 340N 370N 370N |

GEARBOX DATA

| Number of stage | 1 | | | 2 | | 3 | | | 4 | | | |
|--|---------------------|------|-----|------------|------|------------|-------|-------|------------|----------|-------|--------|
| | Reduction ratio X:1 | 3.5 | 4.3 | 6.0 | 12 | 36 | 43 | 91 | 216 | 150 | 353 | 756 |
| Reduction ratio absolute | 7/2 | 13/3 | 6/1 | 49/4 | 36/1 | 343/8 | 91/1 | 216/1 | 2401/16 | 28561/81 | 756/1 | 1296/1 |
| | | | | 91/6 | | 637/12 | 338/3 | | 4459/24 | 1183/3 | 936/1 | |
| | | | | 169/9 | | 1183/18 | 126/1 | | 8281/36 | 441/1 | | |
| | | | | 21/1 | | 147/2 | 156/1 | | 1029/4 | 4394/9 | | |
| | | | | 26/1 | | | | | 15379/54 | 546/1 | | |
| | | | | | | | | | 637/2 | 676/1 | | |
| Motor shaft max. diametre (mm) | 6 | 4 | | 6 | 4 | 6 | | 4 | 6 | | | 4 |
| Gearbox length "L" (mm) | 32.6 | | | 41.6 | | 50.6 | | | 59.6 | | | |
| Max. continuous torque (N.m) | 3 | | | 5 | | 10 | | | 10 | | | |
| Max. intermittent torque (N.m) | 4.5 | | | 7.5 | | 15 | | | 15 | | | |
| Average backlash no load | 0.7° | | | 0.8° | | 0.8° | | | 0.8° | | | |
| Gearbox efficiency | 90% | | | 81% | | 73% | | | 65% | | | |
| Max. mass inertia (g.cm ²) | 3.34 | | | 3.25 | | 3.24 | | | 3.24 | | | |
| Gearbox weight approx (g) | 240 | | | 300 | | 360 | | | 420 | | | |
| gearbox model | AM-36HPA-X | | | AM-36HPB-X | | AM-36HPC-X | | | AM-36HPD-X | | | |



Recommend Motor:
Coreless Motor (w/E)
AM-CL3570GAN
AM-CL4071GAE
Brushless Motor (w/E)
AM-BL3260AN AM-BD3260AN
AM-BL3270AN AM-BD3270AN
AM-BL3660AN AM-BD3660AN
AM-BL3675BF
AM-BL3690BF

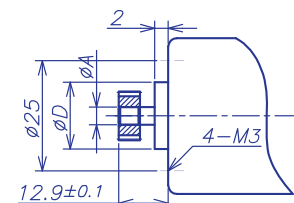
Recommend Encoder:
Suitable for Coreless Motor
Encoder S: AM-EN2211S***
Encoder T: AM-EN2412T***

Suitable for Brushless Motor
Encoder S: AM-EN2211S***
Encoder T: AM-EN2412T***
AM-EN3612T***

INPUT GEARBOX DATA

| | | | |
|---------------------|-----|----|------|
| Modulus | 0.5 | | |
| Press angle | 20° | | |
| Teeth number | 12 | 18 | 24 |
| Max gear hole "A" | 4 | 6 | 6 |
| Max motor shaft | 4 | 6 | 6 |
| Motor dimension "D" | 8 | 11 | 13.5 |

MOTOR DIMENSION



GEARBOX MOTOR LENGTH "LT"

| | | | |
|----------------------------------|-------|-------|-------|
| Gear motor length L _T | 122.3 | 121.3 | 161.6 |
| Gear box length L ₁ | 41.6 | 50.6 | 59.6 |
| Motor length L ₂ | 70 | 60 | 90 |
| Encoder length L ₃ | 10.7 | 10.7 | 12 |

Download datasheet: <https://assunmotor.com/documents-download>

Visit Our Website and Online Shop at <https://assunmotor.com> Contact: info@assunmotor.com