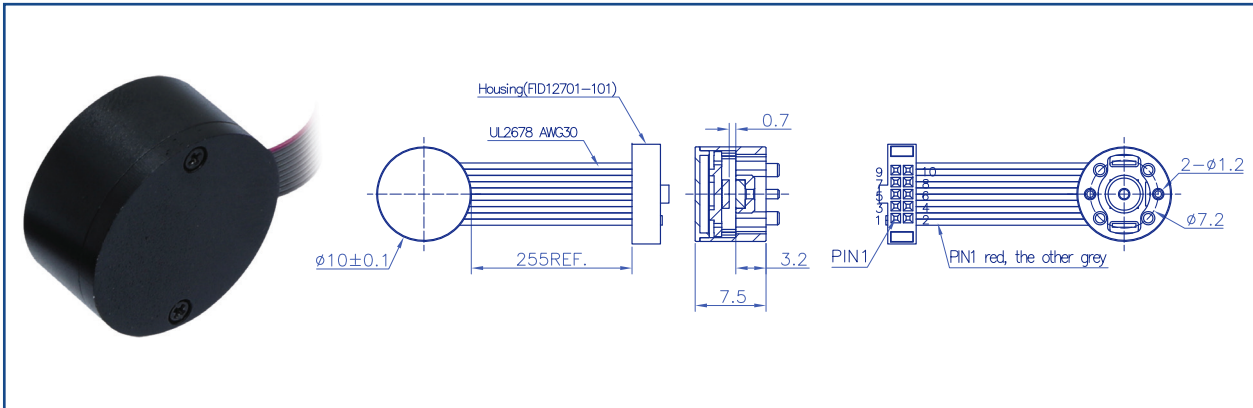


AM-EN1008S103(CL) SERIES



ELECTROMAGNETIC ENCODER

1) Parameters

Parameters/Models	AM-EN1008 S103-0032	AM-EN1008 S103-0064	AM-EN1008 S103-0128	AM-EN1008 S103-0256	AM-EN1008 S103-0512	AM-EN1008 S103-1024
Diameter	10	10	10	10	10	10
PPR/TURN	32	64	128	256	512	1024
Max Channels	3	3	3	3	3	3
Max Working Freq.(KHz)	20	40	100	180	360	512
Direction Signal	no	no	no	no	no	no
Drive (Differential Output)	yes	yes	yes	yes	yes	yes

2) Information

Technical Parameter		Suitable for motor size		Pin definition		Connection Diagram (CW)
Power Vcc	5V±5%	Suitable for shaft diameter	1.0; 1.5	1. V+	2. Vcc	
Vcc=5.0V Signal	TTL	Suitable for shaft length	2.2~5.0	3. GND	4. A+	
Operating Temperature	-40~125°C	Suitable for boss diameter	10.0~14.0	5. A-	6. B+	
Inertia (max)	0.012 g.cm <sup>2</sup>	Suitable for boss thickness	Maximum 0.8	7. B-	8. Z+	
Output Current, each channel	1.5mA(max)	Code wheel spacing	0.7~1.0	9. Z-	10. V-	
Weight	2.0 g	Other fixed size	Drawing			

3) Recommend Combination

Total Length of Geared Motor System :L <sub>T</sub> =L <sub>1</sub> +L <sub>2</sub> +(L <sub>3</sub> =8mm)					
L1:10GP	L1:12GP	L2:CL10			
6.8	15.4	25.2			
10	19.6				
13.2	23.8				
16.4	28				
19.6	32.2				

**AM-EN1008S\*\*\* Combination Scheme**

Recommended Gearbox:  
Planetary Gearbox:  
AM-10GP

Recommended Motor:  
Coreless Motor:  
AM-CL10\*\*

Remarks: Clients can choose gearbox and motor to match with this encoder. Some combinations are listed here for reference.

Please tell us if there is vibration in application. Client should pay attention to the integrity and reliability of the transmitted signal.

Download datasheet: <https://assunmotor.com/documents-download>

Visit Our Website and Online Shop at <https://assunmotor.com> Contact: [info@assunmotor.com](mailto:info@assunmotor.com)