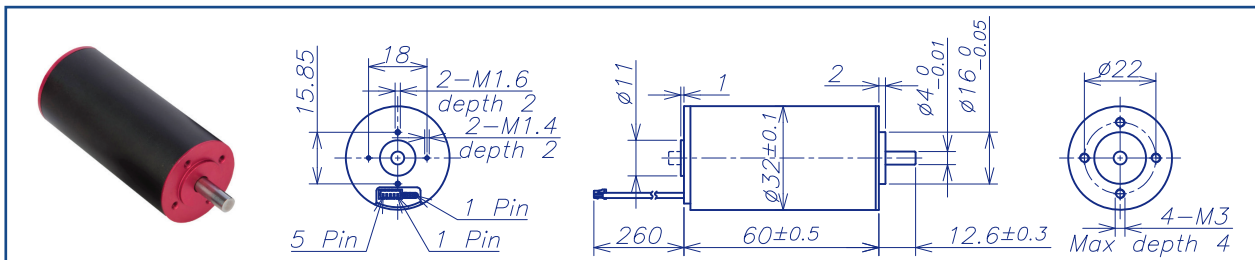


AM-BL3260BF Series



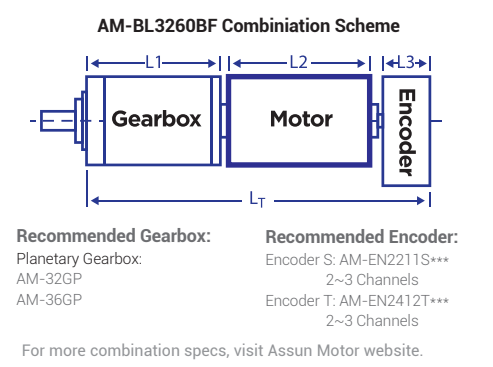
		Brushless Motor			Ball Bearings			
Motor Model		1208	1207	2409	2407	3609	3607	
Nominal voltage	V	12	12	24	24	36	36	
No load speed ±12%	rpm	8244	6870	9160	7495	8833	7274	
No load current Max 150%	mA	400	300	270	180	150	140	
Recommend limit for continuous operating	Max cont. torque	mN.m	119.54	121.76	114.84	116.82	110.92	116.26
	Rated Speed	rpm	7378	6000	8372	6708	8104	6523
	Rated Current	mA	9000	7600	4800	4000	3000	2600
	Rated Power	W	92.36	76.50	100.69	82.05	94.14	79.41
Starting current	mA	85714	60000	55814	38095	36364	25175	
Stall torque	mN.m	1191	1001	1396	1165	1415	1190	
Maximum power output	W	257.1	180.0	334.9	228.6	327.3	226.6	
Maximum Efficiency	%	87	86	88	87	88	86	
Terminal resistance ±12%	Ω	0.14	0.20	0.43	0.63	0.99	1.43	
Inductance (1KHz)	mH	0.013	N/A	0.063	0.094	0.15	0.22	
Mechanical time constant	ms	1.11	1.10	1.05	1.03	1.00	0.98	
Moment of inertia	gcm ²	15.3	15.3	15.3	15.3	15.3	15.3	
Torque constant	mN.m/A	13.9	16.68	25.02	30.58	38.92	47.26	
Speed constant	rpm/V	687	572	382	312	245	202	
Speed/torque gradient	rpm/mN.m	6.9	6.9	6.6	6.4	6.2	6.1	
Weight	g	240	240	240	240	240	240	

ADDITIONAL INFORMATION

Motor thermal resistance:	7.8 K/W	Motor thermal time constant:	1089 S
Axial (dynamic):	6.0 N	Radial (5mm from mounting face):	28.0 N
Press-fit force (static):	110 N	Max allowable screw depth into flange:	4.0mm
Maximum radial play (5mm from mounting face):	≤0.02 mm	Axial play:	0 (<6.0N)
Maximum winding temperature:	155°C	Ambient temperature range:	-30 to 65°C
Standard rear shaft diameter:	4 mm	Standard rear shaft length "L":	0/3.7/5.5 mm

Connection (AWG 20#)	Total Length: L _T =L ₁ +L ₂ +L ₃				
Cable 1: Yellow Winding A	L1:32GP	L1:36GP	L2:BL28	L3:EN22S	L3:EN124T
Cable 2: Red Winding B	27.4	39.6	60.0	10.7	12.0
Cable 3: Blue Winding C	35.9	48.6			
Plug definition (AWG 28#) Molex: 51021-0500	44.4	57.6			
Plug 1: Brown Hall 3~16V					
Plug 2: Black Hall GND					
Plug 3: Yellow Hall A					
Plug 4: Red Hall B					
Plug 5: Blue Hall C					

Remarks: Client can choose gearbox and encoder to match with this motor. Some combinations are listed here for reference.



Motor data tested at 25°C. Motor operation exceeding continuous limits will reduce life or result in damage. At elevated ambient temperatures, load current must be reduced.

Download datasheet: <https://assunmotor.com/documents-download>

Visit Our Website and Online Shop at <https://assunmotor.com> Contact: info@assunmotor.com