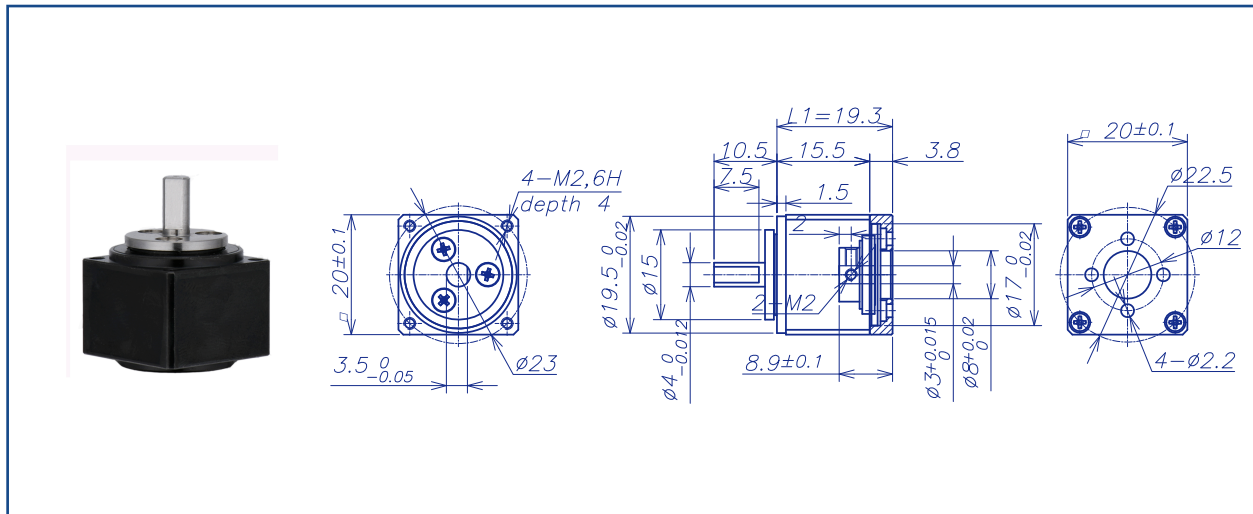


AM-20XB(CSF-05) Series



PARAMETER

Reduction ratio	30	50	80	
Nominal torque at input speed 2000r/min(N.m)	0.25	0.4	0.52	
Peak torque at start-stop(N.m)	0.5	0.9	1.35	
Maximum of average load torque(N.m)	0.38	0.53	0.84	
Max intermittent torque(N.m)	0.9	1.8	2.5	
Backlash(Arcses)	≤20	≤20	≤10	
Maximum input speed(r/min)	10000			
Average input speed(r/min)	6500			
Inertia(1/4GD)(g.cm ²)	2.5x10 ⁻⁴			
Weight (g)	≤0.05kg			
Designed life	7000			
Efficiency in nominal torque(25 °C)	62%	65%	60%	
Harmonic drive gearbox model	AM-20XBC-30	AM-20XBC-50	AM-20XBC-80	

	INPUT GEARBOX DATA Max gear hole "A" φ 3h7 With 2-M2x3 GB/T77-2000 hexagon flat-end set screws	MOTOR DIMENSION
	RECOMMEND MOTOR: Coreless Motor (w/E) AM-CL22** Brushless Motor (w/E) AM-BL20** AM-BL24**	
GEARBOX MOTOR LENGTH "LT"		
Gear motor length L _T		70
Harmonic length L ₁		19.3
Motor length L ₂		40
Encoder length L ₃		10.7

Download datasheet: <https://assunmotor.com/documents-download>

Visit Our Website and Online Shop at <https://assunmotor.com> Contact: info@assunmotor.com