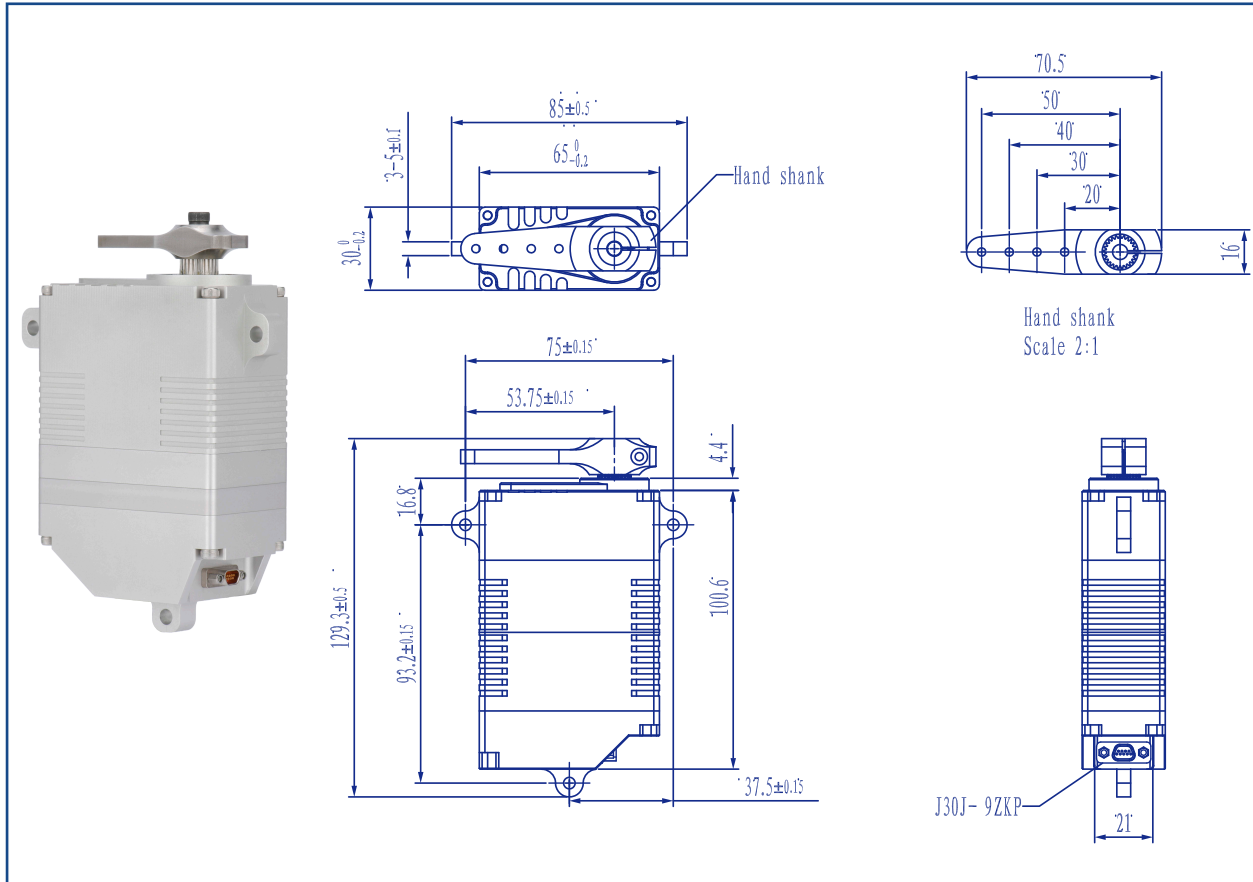


AM-6530SPC2448BF-218-3037EA Series



SERVO ACTUATOR DATA		COMMAND SIGNAL	
Rated voltage	DC 30V	PWM Command interface	
Voltage range	DC 24V-32V	Signal voltage	HIGH:min.3.3V, max.5.0V LOW:min.0V, max.1.5V
Peak torque	18 N.m@30V	Pulse lengths	500µs-2500µs
Rated torque	9 N.m@30V	Pulse lengths for position	500µs/1500µs/2500µs s -100°/0°/+100°
No load rotation speed	228°/Sec@30V	RS485 command interface and protocol specifications	
Rated rotation speed	192°/Sec@30V	Baud-rate	57600±1.5% bits/s
Peak current	<3.2A	Protocol(Documentation available)	10 Byte(incl.1byte check sum)
Rated current	1.7A 120%Max	Number of data bits	8
Default angle	±100°	Number of stop bits	1
Operating temperature range	-40°C ~ +65°C	Parity	None
Shell material	6061 T6	Annotate: (1) Tolerance±10%; (2) Programming Tool for PWM-Versions required; (3) -40°C...+65°C, Δt =105°C (-40°F...+149°F, Δt =189°F); (4) Low Temperature Modification on request (-40°C/-40°F)。	
Motor type	DC Brushless motor		
Gear material	Steel		
Position sensor	Non-contact sensor		
Outline dimension	129.5mm*85mm*30mm		
Weight	460g Max		

Motor data tested at 25°C. Motor operation exceeding continuous limits will reduce life or result in damage.
At elevated ambient temperatures, load current must be reduced.

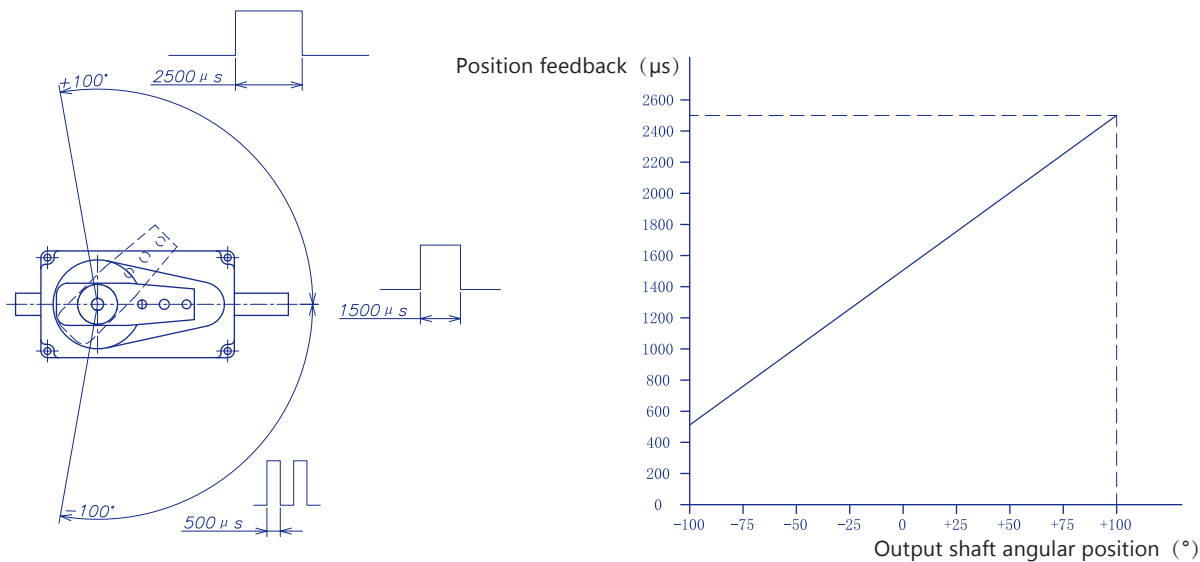
Download datasheet: <https://assunmotor.com/documents-download>

Visit Our Website and Online Shop at <https://assunmotor.com> Contact: info@assunmotor.com

AM-6530SPC2448BF-218-3037EA Series

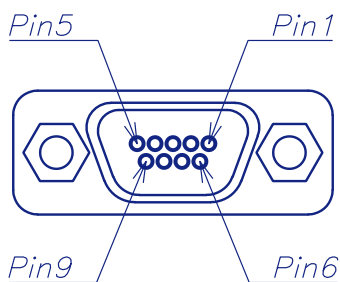
Position feedback signal

The position feedback signal is a square wave output signal that is directly related to the angular position of the output shaft.



CONNECTOR

Industrial standard J30J-15ZKP electrical connector



J30J-9ZKP

1	GND
2	V+
3	GND
4	3V
5	PWM
6	CAN-H
7	CAN-L
8	485-B
9	485-A

Motor data tested at 25°C. Motor operation exceeding continuous limits will reduce life or result in damage.
At elevated ambient temperatures, load current must be reduced.

Download datasheet: <https://assunmotor.com/documents-download>

Visit Our Website and Online Shop at <https://assunmotor.com> Contact: info@assunmotor.com