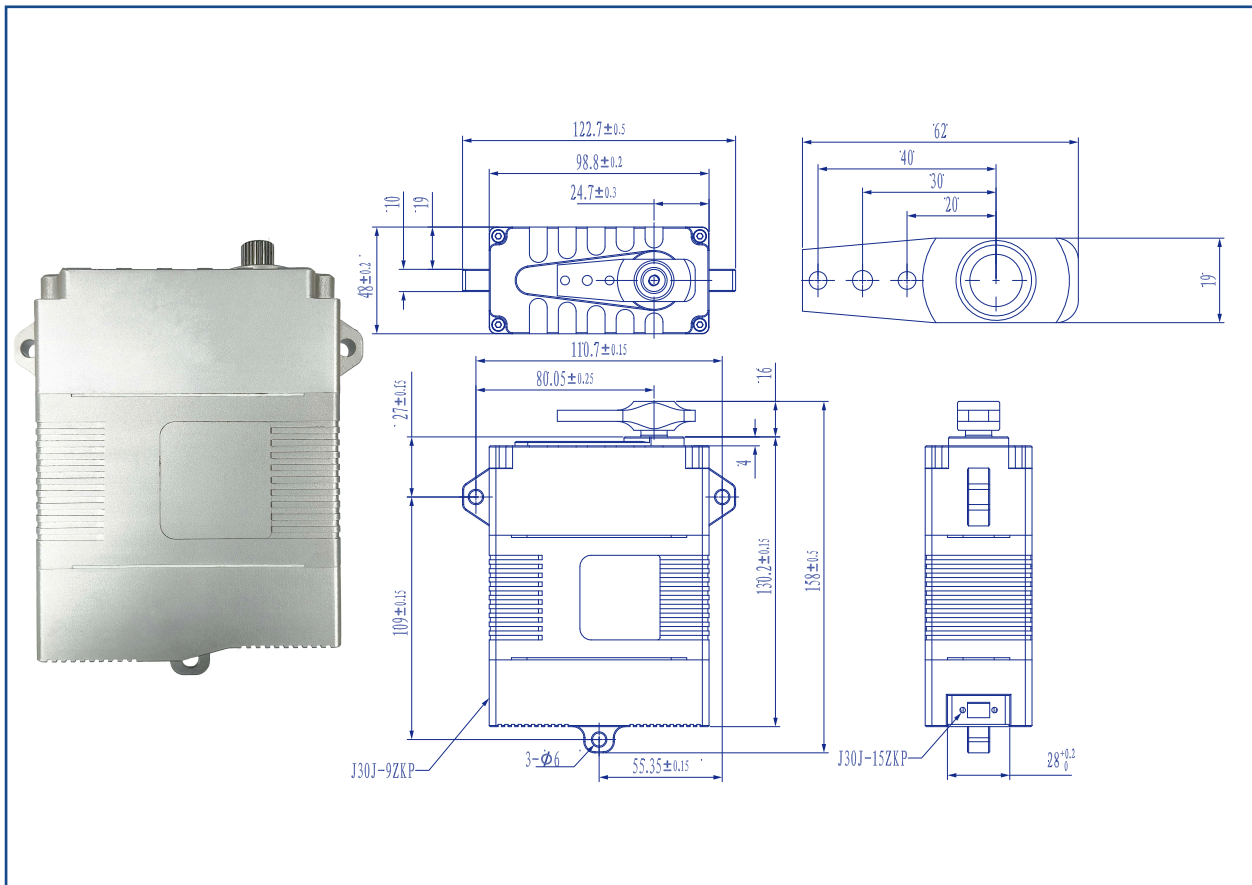


AM-9948SPI4060BF-200-2734EA Series



SERVO ACTUATOR DATA		COMMAND SIGNAL	
Rated voltage	DC 27V	PWM Command interface	
Voltage range	DC 24V-32V	Signal voltage	HIGH:min.3.3V, max.5.0V LOW:min.0V, max.1.5V
Peak torque	65 N.m@27V	Pulse lengths	500µs-2500µs
Rated torque	20 N.m@27V	Pulse lengths for position	500µs/1500µs/2500µs s -100°/0°/+100°
No load rotation speed	204°/Sec@27V	RS485 command interface and protocol specifications	
Rated rotation speed	193°/Sec@27V	Baud-rate	57600±1.5% bits/s
Peak current	< 11.2A	Protocol(Documentation available)	10 Byte(incl.1byte check sum)
Rated current	3.7A 120%Max	Number of data bits	8
Default angle	±100°	Number of stop bits	1
Operating temperature range	-40°C ~ +65°C	Parity	None
Shell material	7075 T6	Annotate: (1) Tolerance±10%; (2) Programming Tool for PWM-Versions required; (3) -40°C...+65°C, Δt =105°C (- 40°F...+149°F, Δt =189°F) ; (4) Low Temperature Modification on request (-40°C/-40°F) 。	
Motor type	DC Brushless motor		
Gear material	Steel		
Position sensor	Non-contact sensor		
Outline dimension	158mm*122.7mm*48mm		
Weight	1340g Max		

Motor data tested at 25°C. Motor operation exceeding continuous limits will reduce life or result in damage.
At elevated ambient temperatures, load current must be reduced.

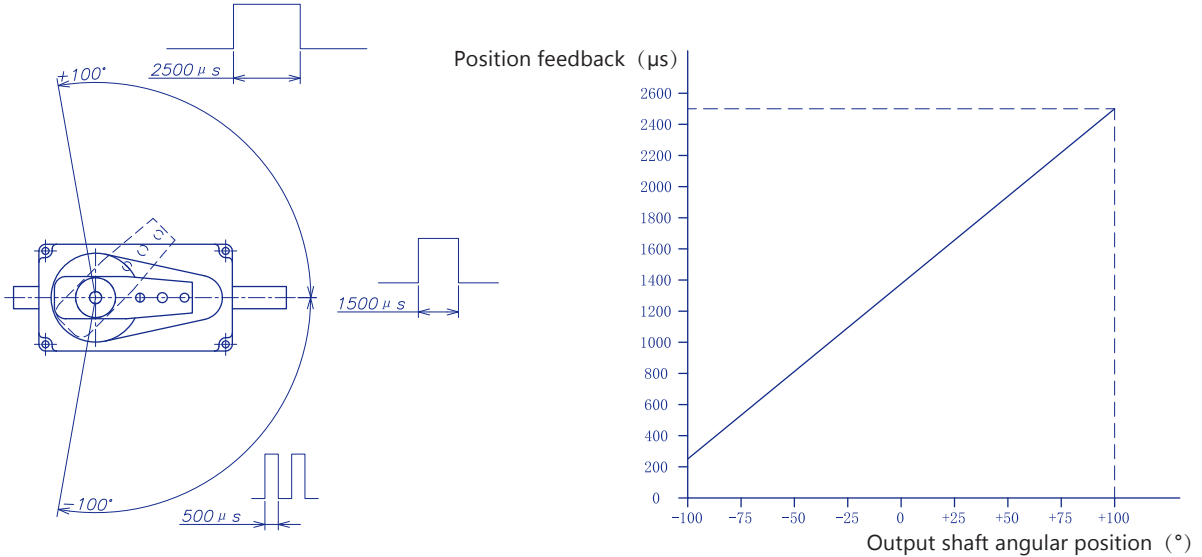
Download datasheet: <https://assunmotor.com/documents-download>

Visit Our Website and Online Shop at <https://assunmotor.com> Contact: info@assunmotor.com

AM-9948SPI4060BF-200-2734EA Series

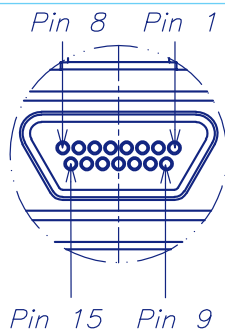
Position feedback signal

The position feedback signal is a square wave output signal that is directly related to the angular position of the output shaft.



CONNECTOR

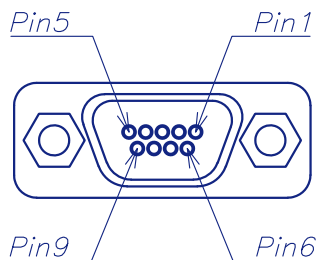
Industrial standard J30J-15ZKP electrical connector



J30J-15ZKP PWM

1-4 12-13	DC + Supply voltage
9	NC Do not connect
5-8 14-15	DC- Supply ground
10 11	PWM Command signal

Industrial standard J30J-9ZKP electrical connector



J30J-9ZKP RS485

1	RS-485A
2	SWCLK
3	SWDIO
4	GND
5	DIO(3.3~5V)
6	RS-485B
7	A+
8	B+
9	Z+

Motor data tested at 25°C. Motor operation exceeding continuous limits will reduce life or result in damage.
At elevated ambient temperatures, load current must be reduced.

Download datasheet: <https://assunmotor.com/documents-download>

Visit Our Website and Online Shop at <https://assunmotor.com> Contact: info@assunmotor.com